



EDAC INC  
TORONTO, ONTARIO  
CANADA  
YOUR CONNECTION TO QUALITY & SERVICE

# EDAC PART NO. SYSTEM FOR STANDARD RJ45 MAGNETIC JACKS

**A60-142-200P431**

**SERIES:**

- A60 - 10/100/1000 BASE T, 8 CORE
- A62 - 10/100 BASE T, 2 CORE
- A63 - 10/100 BASE T, 4 CORE
- A64 - 10/100 BASE T, 5 CORE
- A65 - 10 BASE T, 3 CORE
- A66 - 10 BASE T, 4 CORE
- A67 - 10/100 BASE T, POE
- A68 - 10/100 BASE T WITH USB TYPE A
- A69 - 100/1000 BASE T WITH USB TYPE A
- A70 - 100/1000 BASE T, POE

**NO. OF PORTS:** 1 4

- STACK SIZE  PORT PER STACK
- 11 - 1X1: 1 PORT, 21 - 2X1: 2 PORTS
  - 12 - 1X2: 2 PORTS, 22 - 2X2: 4 PORTS
  - 14 - 1X4: 4 PORTS, 24 - 2X4: 8 PORTS
  - 18 - 1X8: 8 PORTS, 28 - 2X8: 16 PORTS
  - 1A - 1+2USB: 1 PORT + 2 USB PORTS
  - 1B - 1+2USB3.0: 1 PORT + 2 USB3.0 PORTS

**CONTACT PLATING:**

- 2 - GOLD FLASH
- 3 - 15 MICROINCHES OF GOLD
- 4 - 30 MICROINCHES OF GOLD
- 5 - 50 MICROINCHES OF GOLD

**CONNECTOR TYPE:**

- 2 - RIGHT ANGLE WITH TAB-UP
- 3 - RIGHT ANGLE WITH TAB-DOWN
- 4 - VERTICAL WITH TAB-UP
- 5 - VERTICAL WITH TAB-DOWN
- 6 - SMT WITH TAB-UP
- 7 - SMT WITH TAB-DOWN
- 8 - RIGHT ANGLE WITH TAB-UP AND PANEL STOP
- 9 - RIGHT ANGLE WITH TAB-DOWN AND PANEL STOP
- A - VERTICAL WITH TAB-UP AND PANEL STOP

**ELECTRICAL CIRCUIT TYPE:**

(SEE CIRCUIT TYPE PAGE FOR DETAILS)

**SHIELD TYPE:**

- 0 - NO SHIELD
- 1 - SHIELDED, NO EMI FINGER
- 2 - SHIELDED, WITH EMI FINGER ON TOP
- 3 - SHIELDED, WITH EMI FINGER BOTH SIDES
- 4 - SHIELDED, WITH EMI FINGER ON THREE SIDES
- 5 - SHIELDED, WITH EMI FINGER ON FOUR SIDES
- 6 - SHIELDED, WITH EMI FINGER ON THREE SIDES, LED TAIL STAGGERED
- 7 - SHIELDED, WITH EMI FINGER ON THREE SIDES, 3 LEG TAIL LED

**HOUSING MATERIAL:**

- P - PBT POLYESTER
- N - NYLON POLYESTER

**RIGHT LED COLOR:**

- 0 - NO LED
- 1 - YELLOW
- 2 - RED
- 3 - GREEN
- 4 - ORANGE
- 5 - GREEN/YELLOW BI-COLOR
- 6 - RED/GREEN BI-COLOR
- 7 - GREEN/ORANGE BI-COLOR
- 8 - RED/YELLOW BI-COLOR
- 9 - ORANGE/YELLOW BI-COLOR
- A -

**LEFT LED COLOR:**

- 0 - NO LED
- 1 - YELLOW
- 2 - RED
- 3 - GREEN
- 4 - ORANGE
- 5 - GREEN/YELLOW BI-COLOR
- 6 - RED/GREEN BI-COLOR
- 7 - GREEN/ORANGE BI-COLOR
- 8 - RED/YELLOW BI-COLOR
- 9 - ORANGE/YELLOW BI-COLOR
- A -



EDAC INC  
TORONTO, ONTARIO  
CANADA

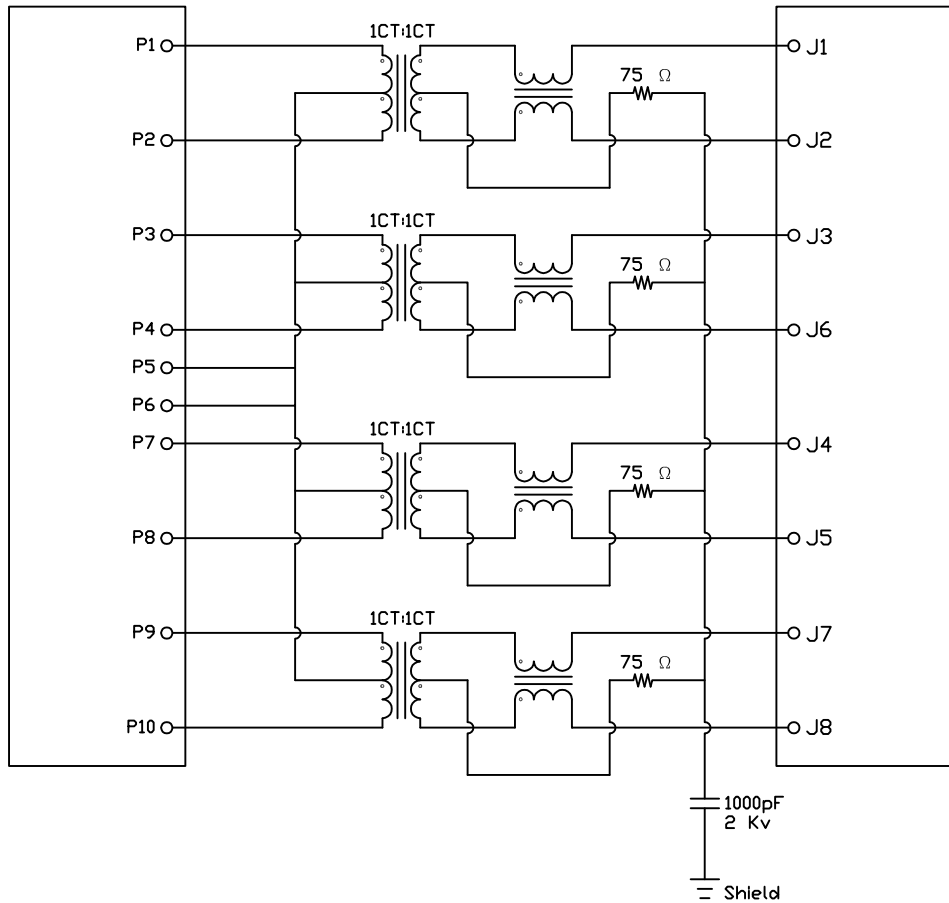
YOUR CONNECTION TO QUALITY & SERVICE

# STANDARD RJ45 MAGNETIC JACKS ELECTRICAL CIRCUIT TYPE

## 11 TYPE

CONNECTOR SOLDER SIDE

RJ45 CONTACT SIDE

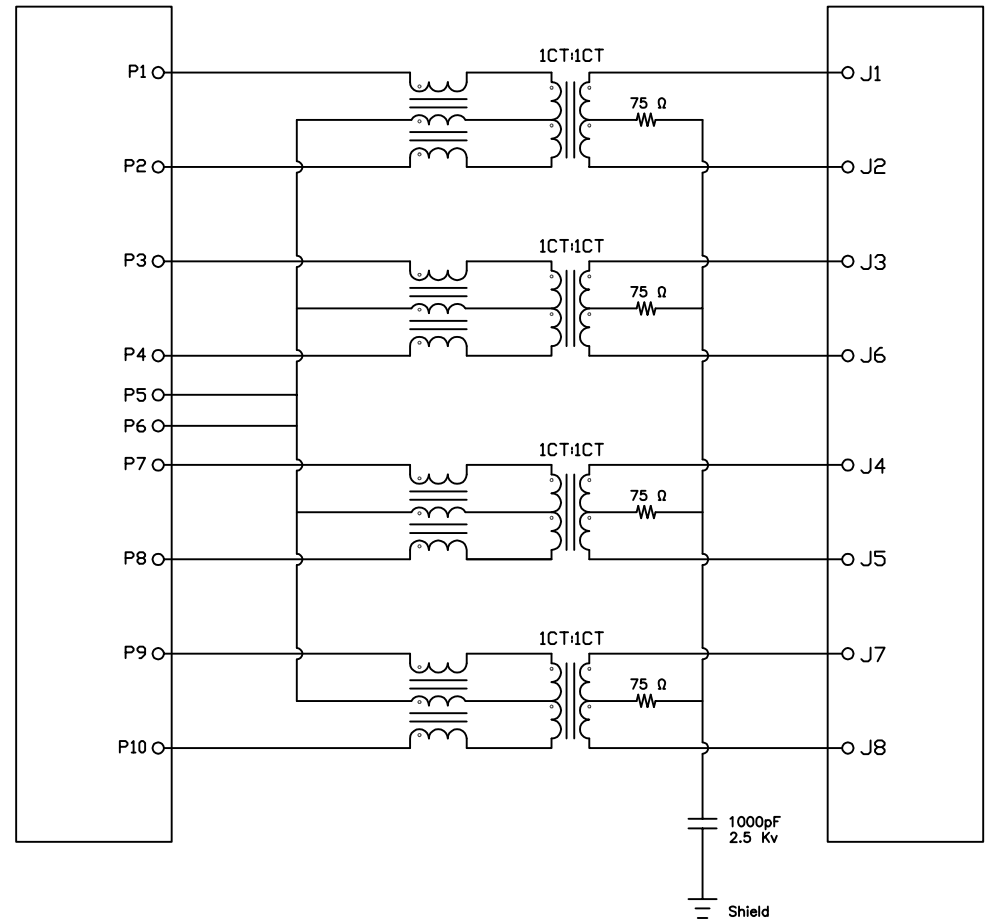


**NOTE:**  
GIGABIT ETHERNET (1000 BASE-T) MAGNETICS

## 14 TYPE

CONNECTOR SOLDER SIDE

RJ45 CONTACT SIDE



**NOTE:**  
GIGABIT ETHERNET (1000 BASE-T) MAGNETICS

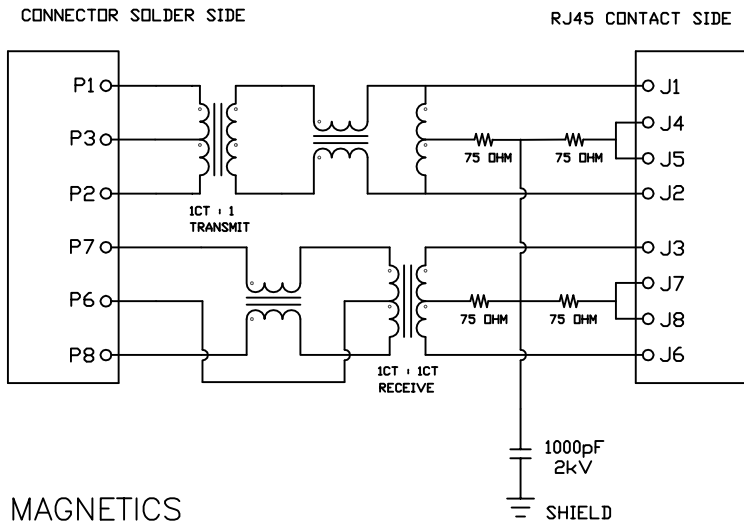


EDAC INC  
TORONTO, ONTARIO  
CANADA

YOUR CONNECTION TO QUALITY & SERVICE

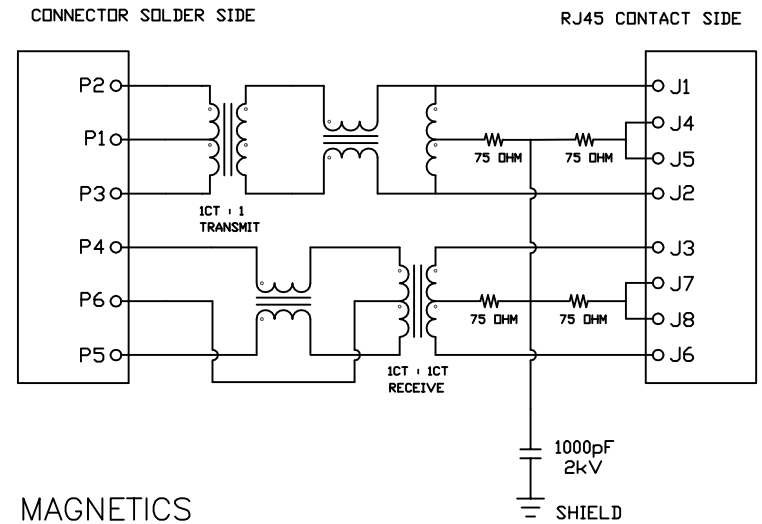
# STANDARD RJ45 MAGNETIC JACKS ELECTRICAL CIRCUIT TYPE

## 20 TYPE



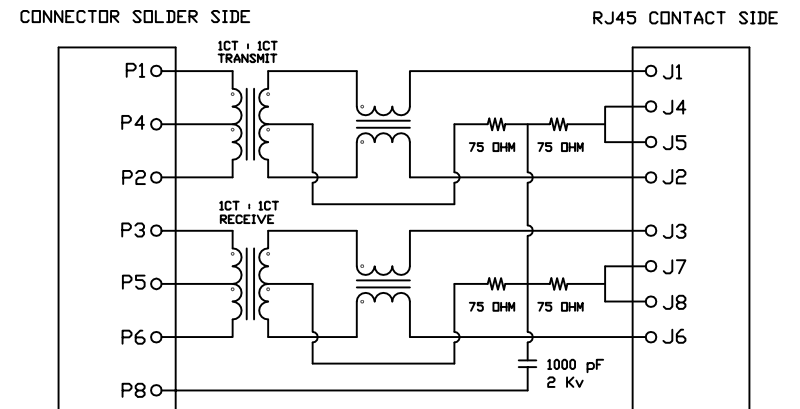
**NOTE:**  
5-CORE MAGNETICS

## 21 TYPE



**NOTE:**  
5-CORE MAGNETICS

## 22 TYPE





EDAC INC  
TORONTO, ONTARIO  
CANADA

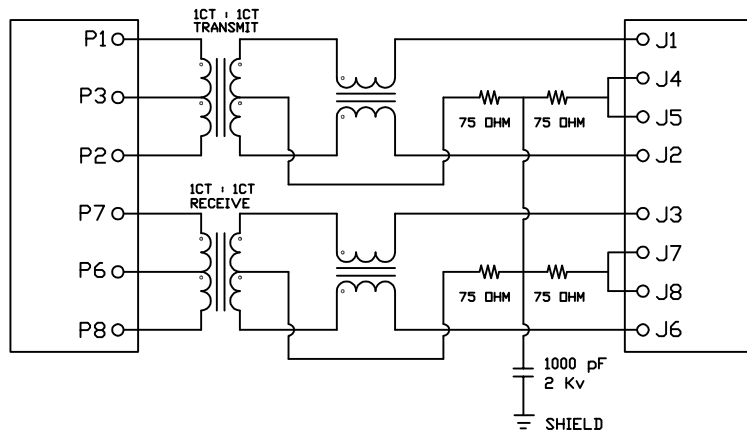
YOUR CONNECTION TO QUALITY & SERVICE

# STANDARD RJ45 MAGNETIC JACKS ELECTRICAL CIRCUIT TYPE

## 31 TYPE

CONNECTOR SOLDER SIDE

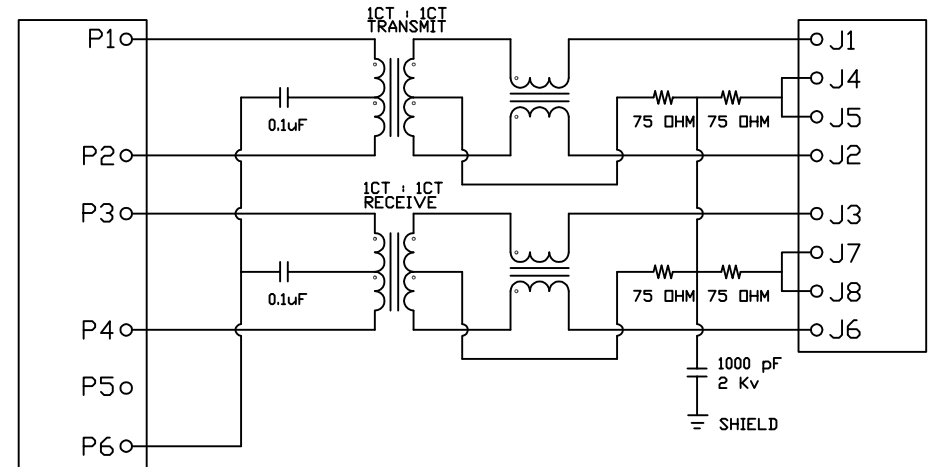
RJ45 CONTACT SIDE



## 33 TYPE

CONNECTOR SOLDER SIDE

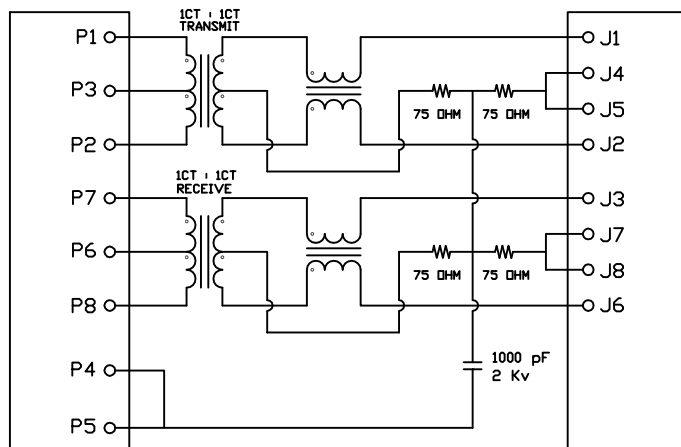
RJ45 CONTACT SIDE



## 35 TYPE

CONNECTOR SOLDER SIDE

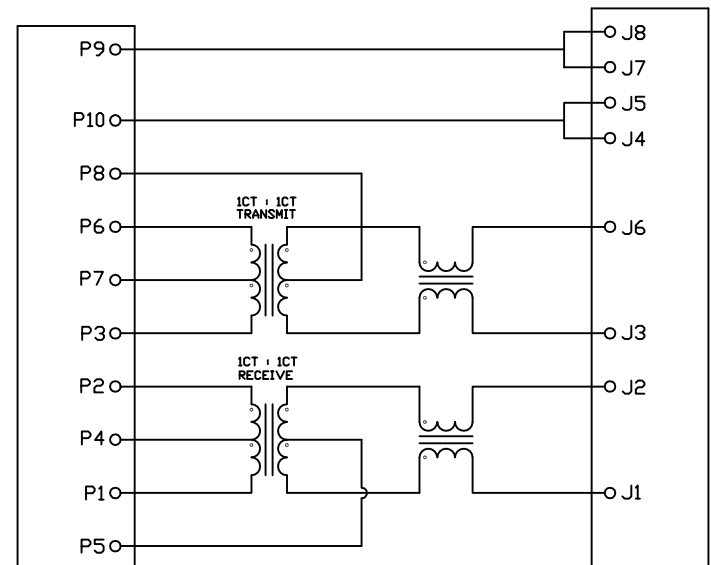
RJ45 CONTACT SIDE



## 34 TYPE

CONNECTOR SOLDER SIDE

RJ45 CONTACT SIDE





EDAC INC  
TORONTO, ONTARIO  
CANADA

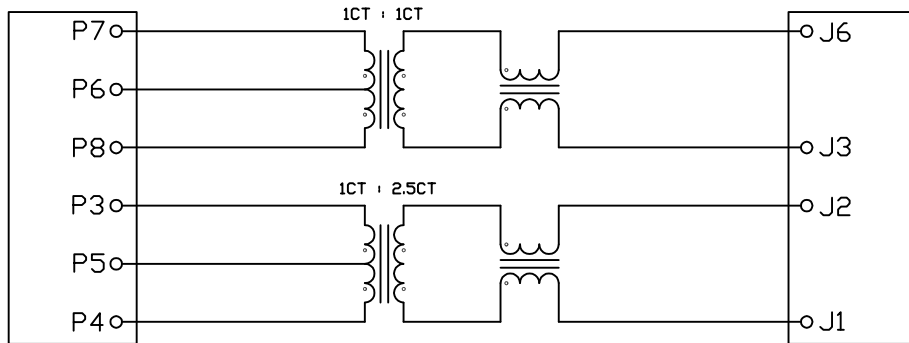
YOUR CONNECTION TO QUALITY & SERVICE

# STANDARD RJ45 MAGNETIC JACKS ELECTRICAL CIRCUIT TYPE

## 36 TYPE

CONNECTOR SOLDER SIDE

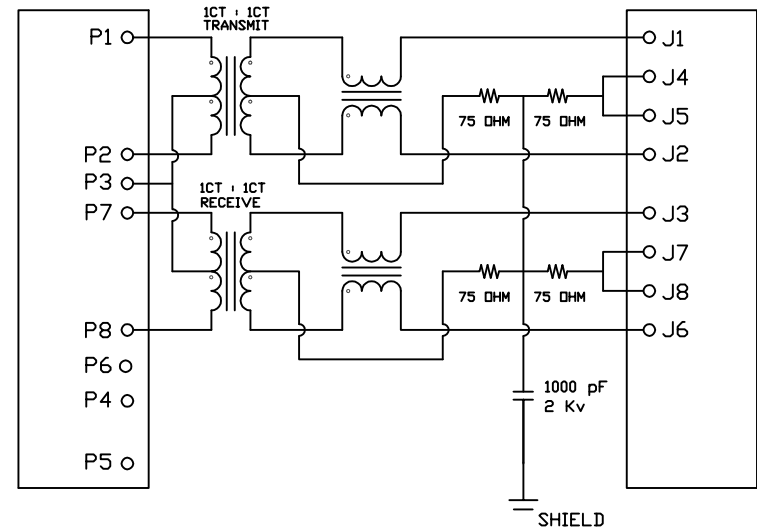
RJ45 CONTACT SIDE



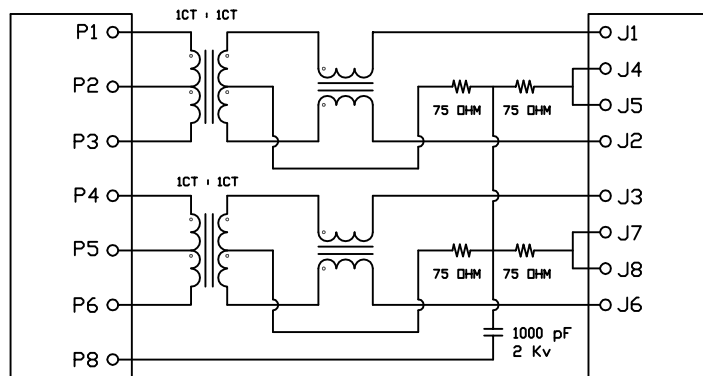
## 61 TYPE

CONNECTOR SOLDER SIDE

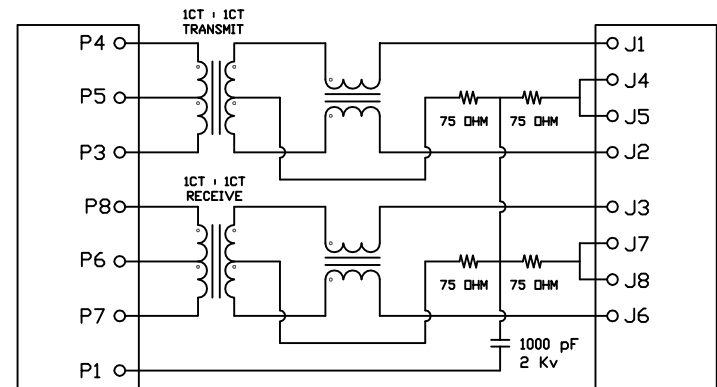
RJ45 CONTACT SIDE



## 90 TYPE



## 91 TYPE





EDAC INC  
TORONTO, ONTARIO  
CANADA

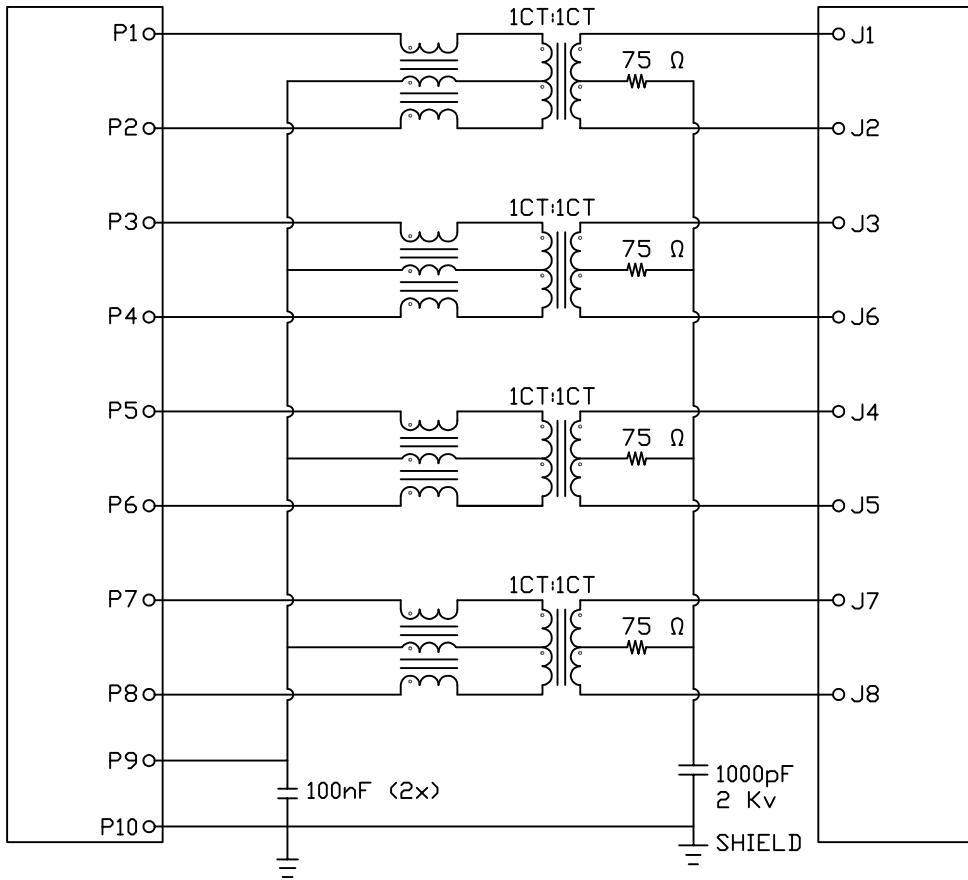
YOUR CONNECTION TO QUALITY & SERVICE

# STANDARD RJ45 MAGNETIC JACKS ELECTRICAL CIRCUIT TYPE

## 62 TYPE

CONNECTOR SOLDER SIDE

RJ45 CONTACT SIDE

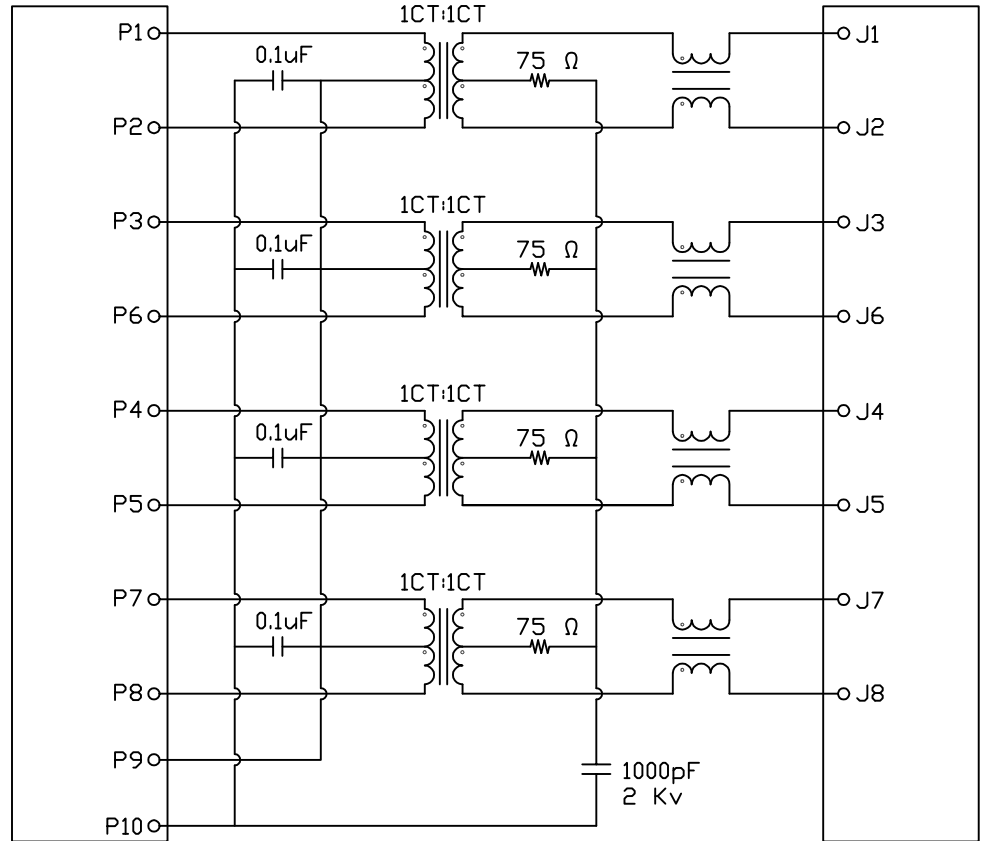


**NOTE:**  
GIGABIT ETHERNET (1000 BASE-T) MAGNETICS

## 63 TYPE

CONNECTOR SOLDER SIDE

RJ45 CONTACT SIDE



**NOTE:**  
GIGABIT ETHERNET (1000 BASE-T) MAGNETICS



EDAC INC  
TORONTO, ONTARIO  
CANADA

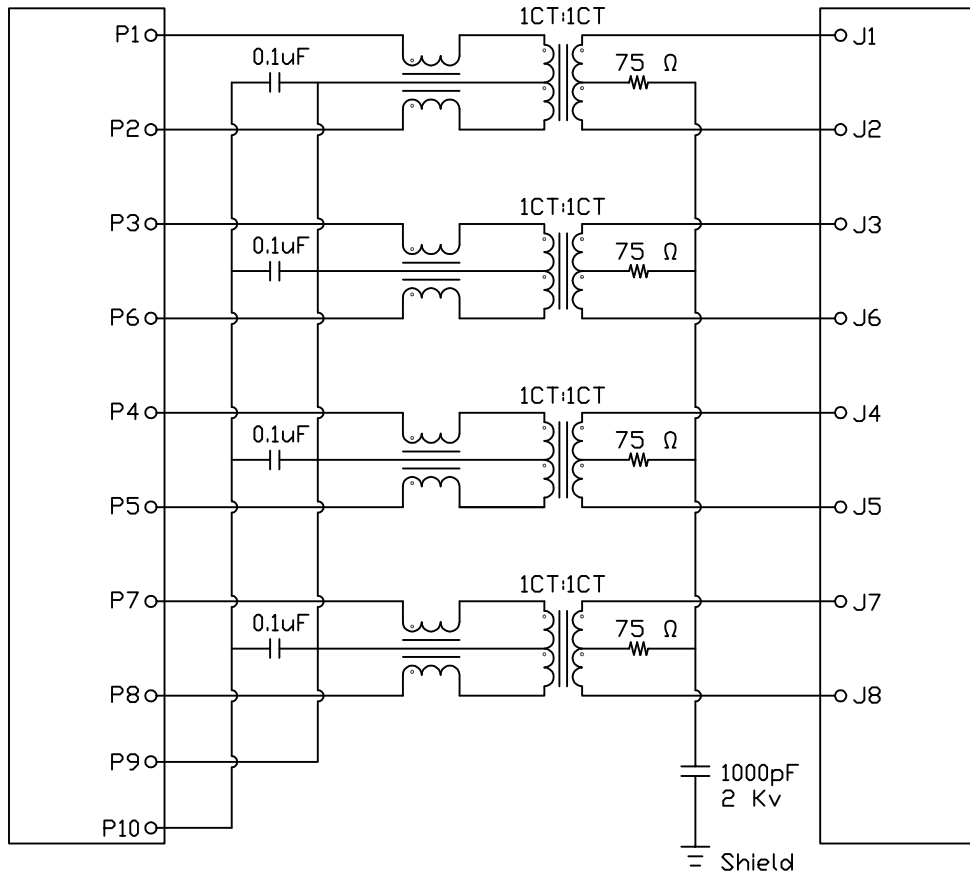
YOUR CONNECTION TO QUALITY & SERVICE

# STANDARD RJ45 MAGNETIC JACKS ELECTRICAL CIRCUIT TYPE

## 70 TYPE

CONNECTOR SOLDER SIDE

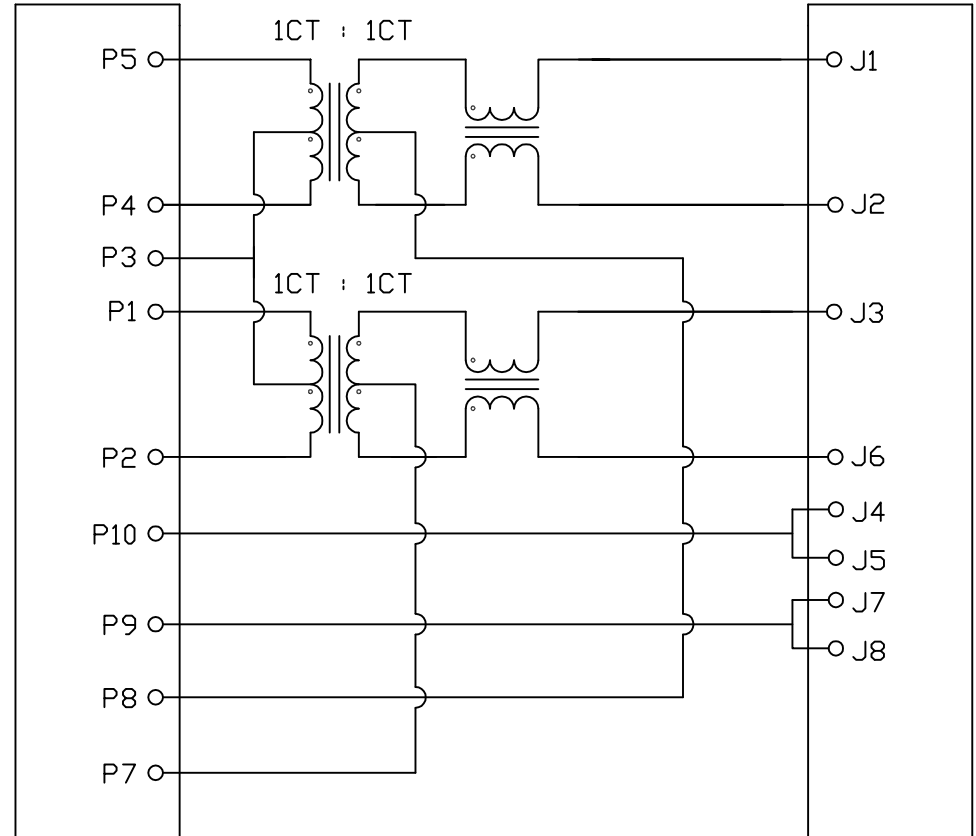
RJ45 CONTACT SIDE



## D2 TYPE

CONNECTOR SOLDER SIDE

RJ45 CONTACT SIDE



### NOTE:

GIGABIT ETHERNET (1000 BASE-T) MAGNETICS



EDAC INC  
TORONTO, ONTARIO  
CANADA

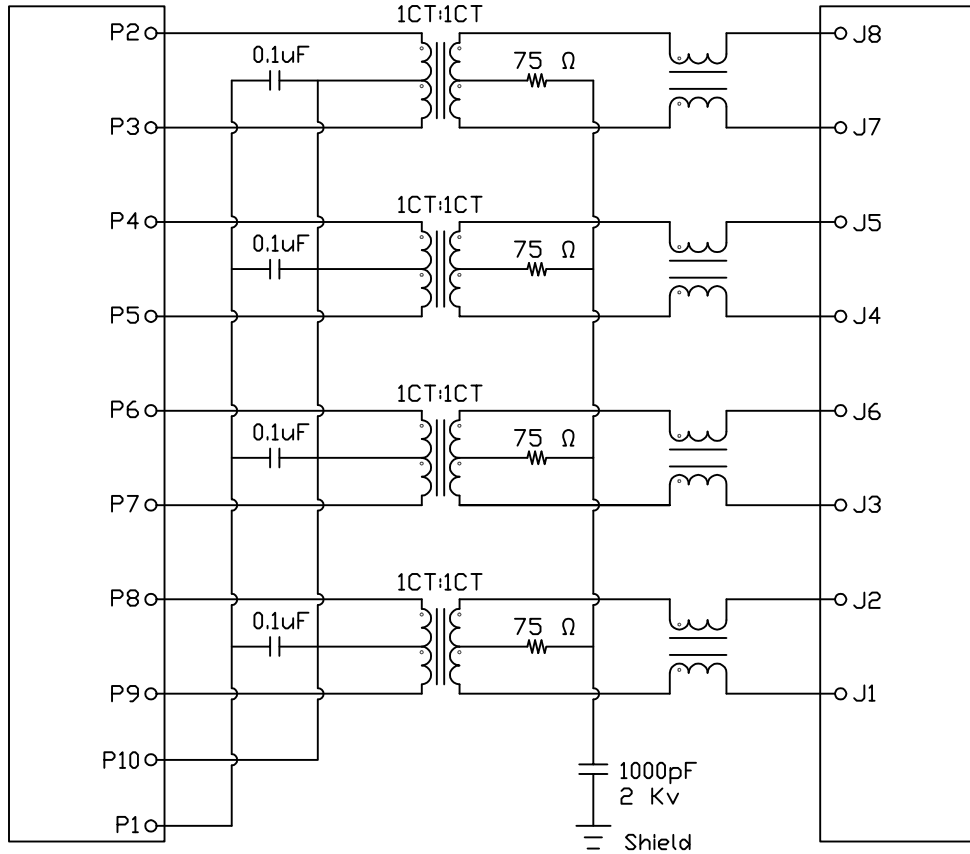
YOUR CONNECTION TO QUALITY & SERVICE

# STANDARD RJ45 MAGNETIC JACKS ELECTRICAL CIRCUIT TYPE

## 82 TYPE

CONNECTOR SOLDER SIDE

RJ45 CONTACT SIDE



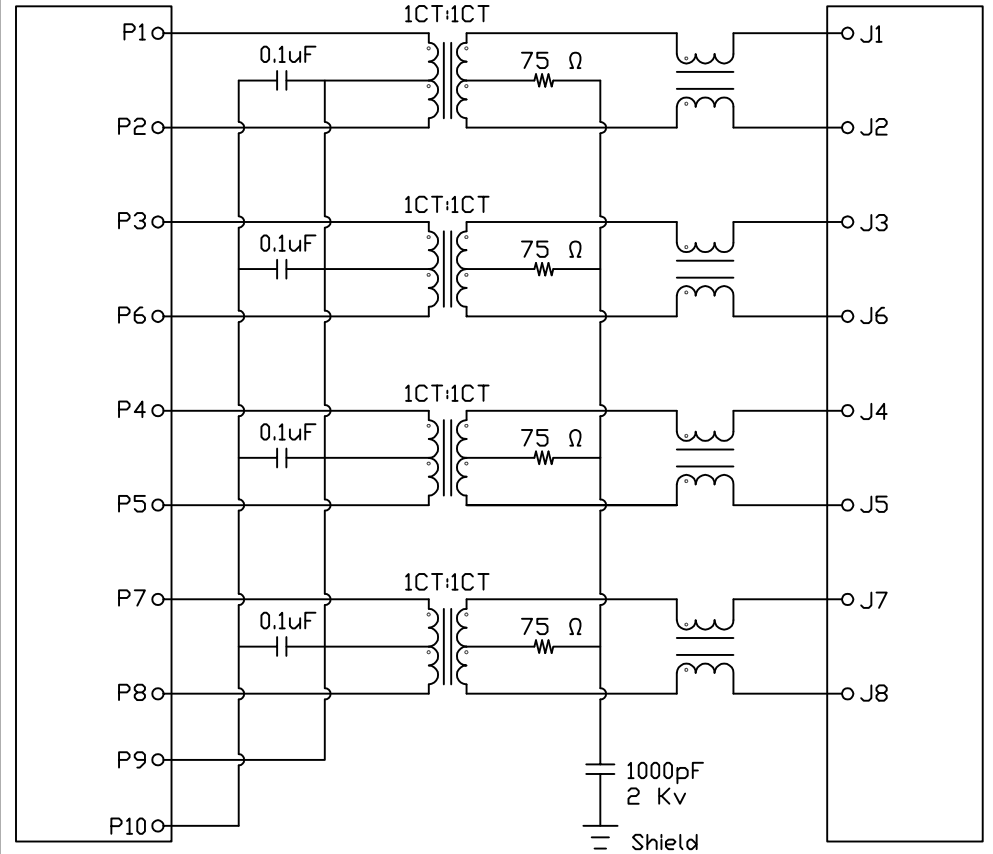
### NOTE:

GIGABIT ETHERNET (1000 BASE-T) MAGNETICS

## 83 TYPE

CONNECTOR SOLDER SIDE

RJ45 CONTACT SIDE



### NOTE:

GIGABIT ETHERNET (1000 BASE-T) MAGNETICS

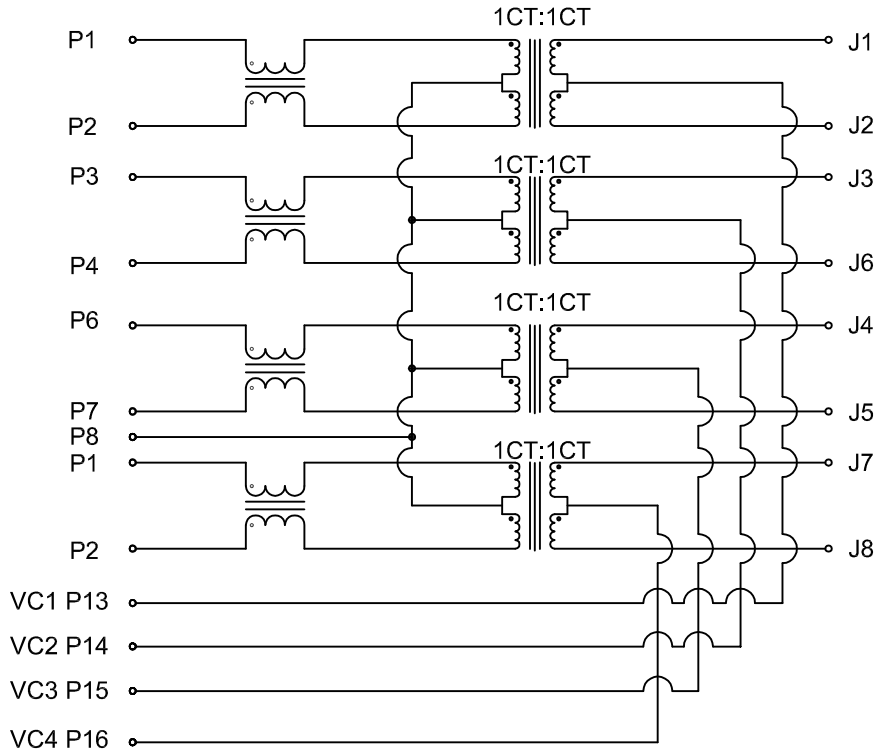




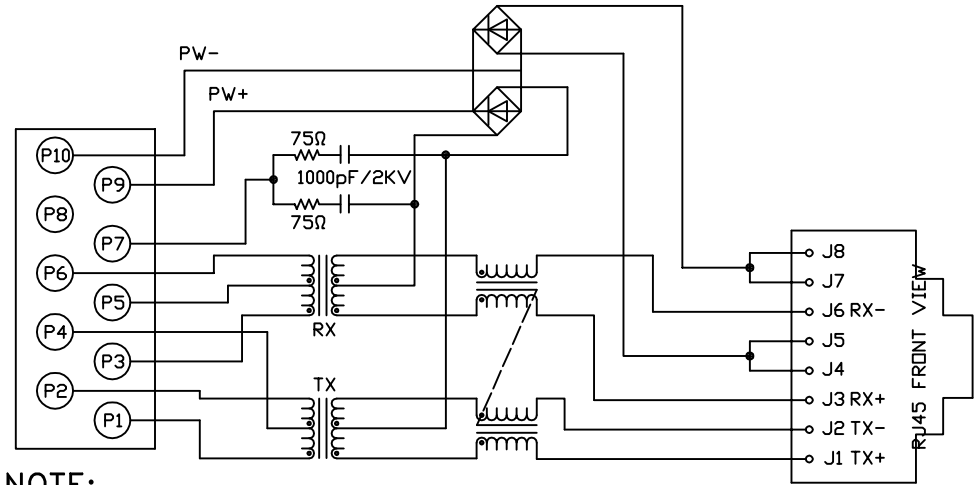
EDAC INC  
TORONTO, ONTARIO  
CANADA  
YOUR CONNECTION TO QUALITY & SERVICE

# STANDARD RJ45 MAGNETIC JACKS ELECTRICAL CIRCUIT TYPE

## 49 TYPE: POWER OVER ETHERNET

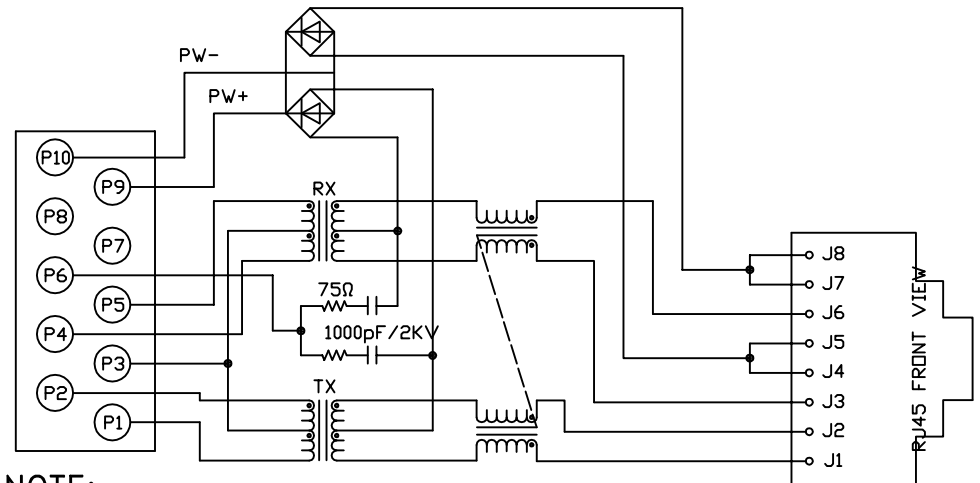


## 13 TYPE: POWER OVER ETHERNET



**NOTE:**  
100 BASE-T MAGNETICS

## 48 TYPE: POWER OVER ETHERNET



**NOTE:**  
100 BASE-T MAGNETICS



EDAC INC  
TORONTO, ONTARIO  
CANADA

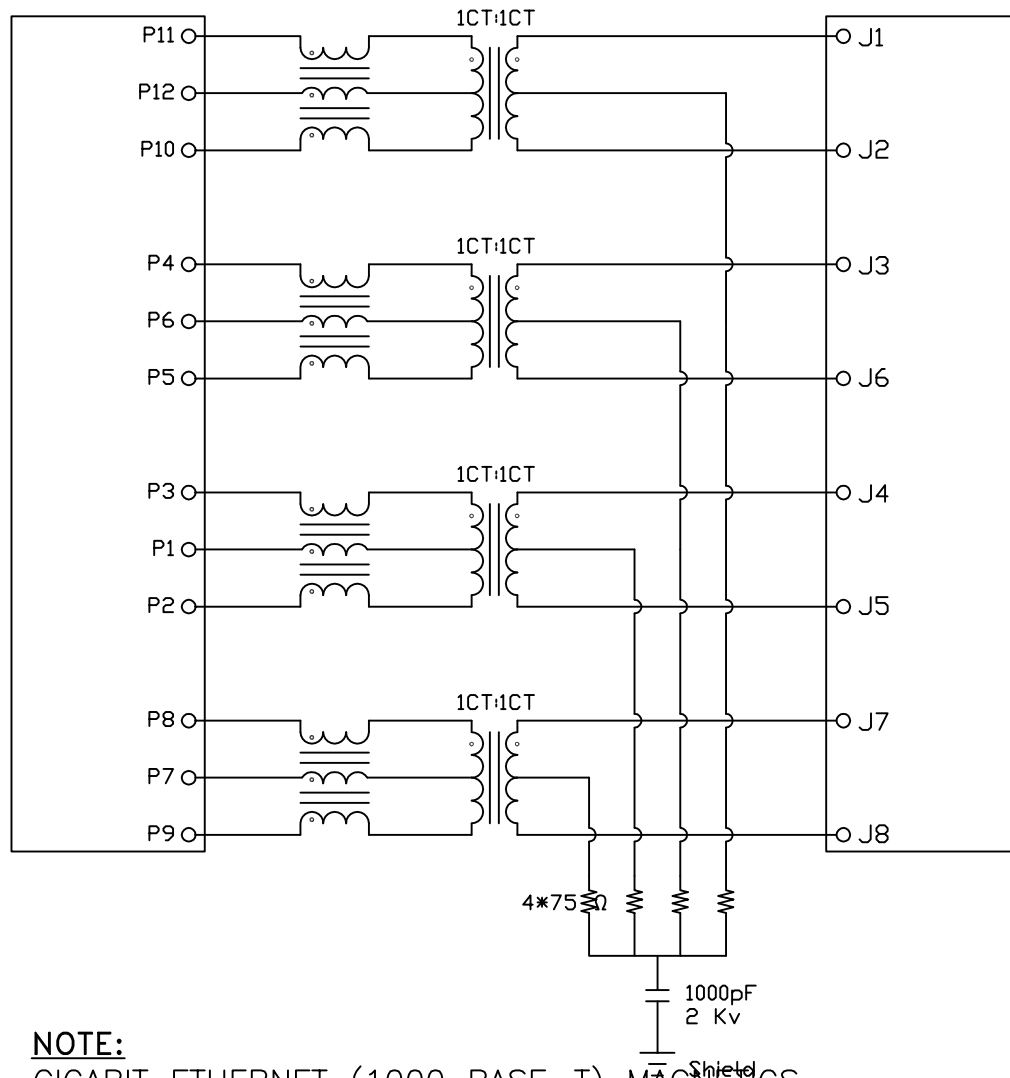
YOUR CONNECTION TO QUALITY & SERVICE

# STANDARD RJ45 MAGNETIC JACKS ELECTRICAL CIRCUIT TYPE

## 71 TYPE

CONNECTOR SOLDER SIDE

RJ45 CONTACT SIDE

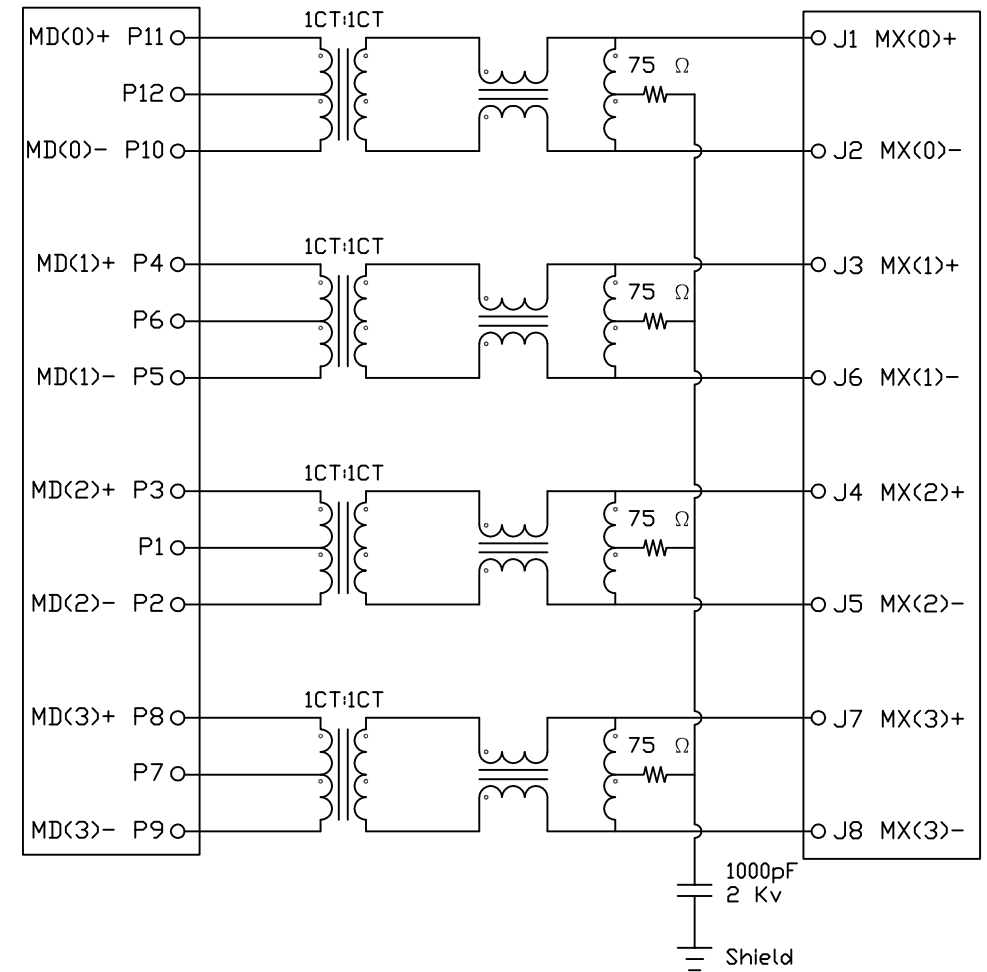


**NOTE:**  
GIGABIT ETHERNET (1000 BASE-T) MAGNETICS

## C3 TYPE:

CONNECTOR SOLDER SIDE

RJ45 CONTACT SIDE



**NOTE:**  
GIGABIT ETHERNET (1000 BASE-T) MAGNETICS



EDAC INC  
TORONTO, ONTARIO  
CANADA

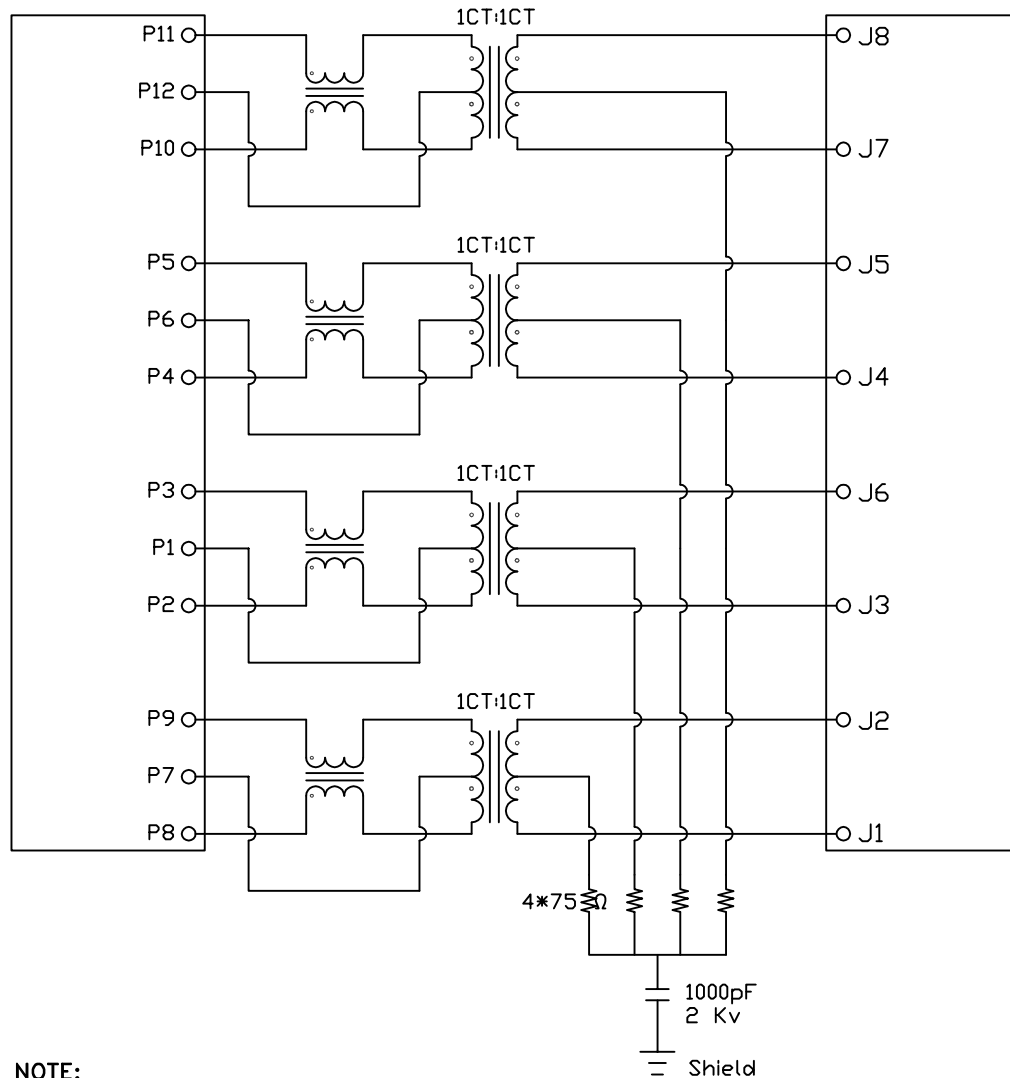
YOUR CONNECTION TO QUALITY & SERVICE

# STANDARD RJ45 MAGNETIC JACKS ELECTRICAL CIRCUIT TYPE

## 73 TYPE

CONNECTOR SOLDER SIDE

RJ45 CONTACT SIDE

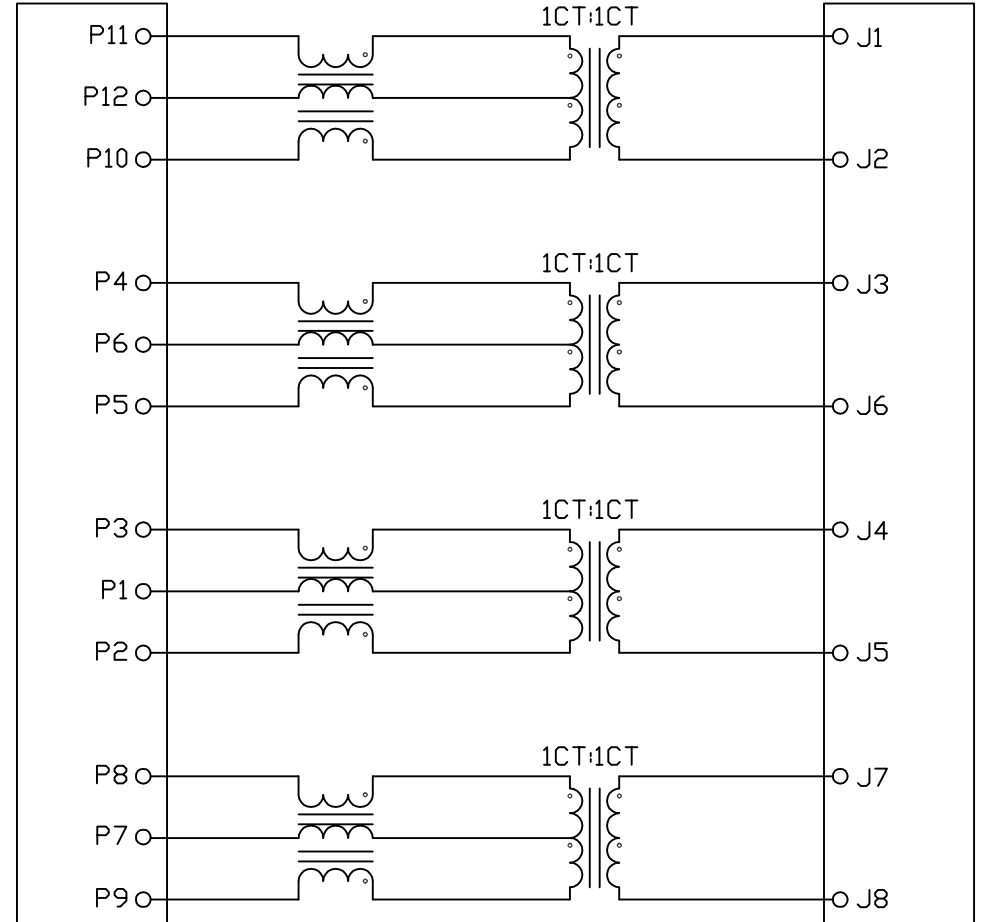


**NOTE:**  
GIGABIT ETHERNET (1000 BASE-T) MAGNETICS

## C2 TYPE:

CONNECTOR SOLDER SIDE

RJ45 CONTACT SIDE



**NOTE:**  
GIGABIT ETHERNET (1000 BASE-T) MAGNETICS

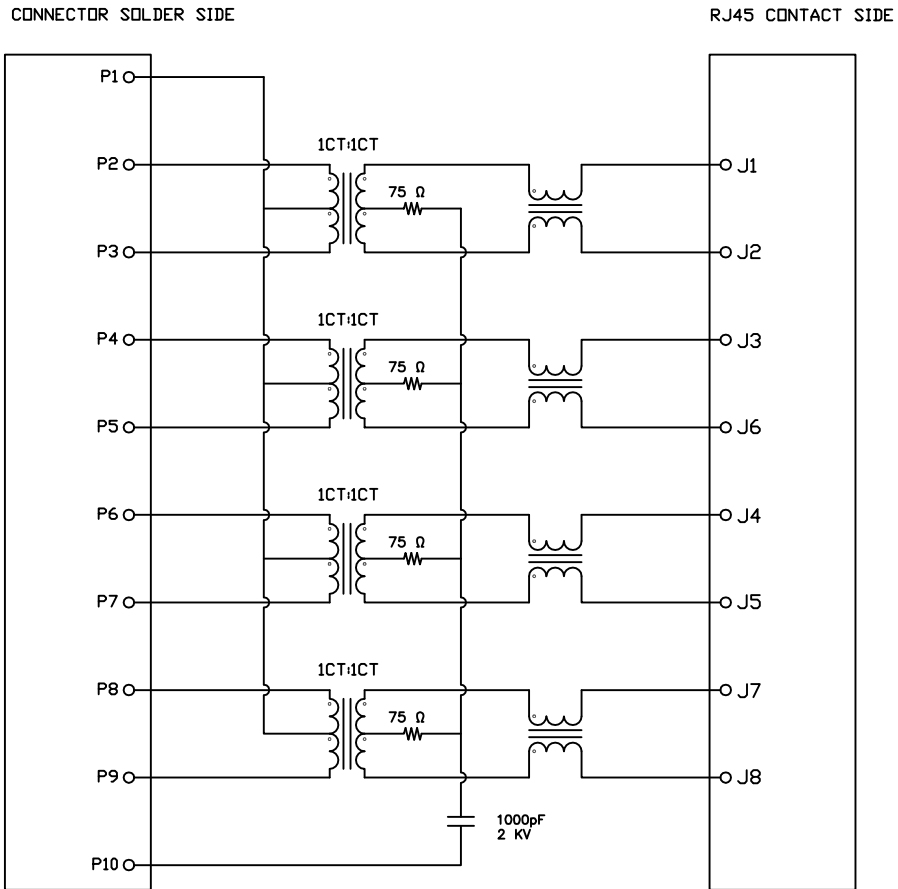


EDAC INC  
TORONTO, ONTARIO  
CANADA

YOUR CONNECTION TO QUALITY & SERVICE

# STANDARD RJ45 MAGNETIC JACKS ELECTRICAL CIRCUIT TYPE

## 32 TYPE



**NOTE:**  
GIGABIT ETHERNET (1000 BASE-T) MAGNETICS

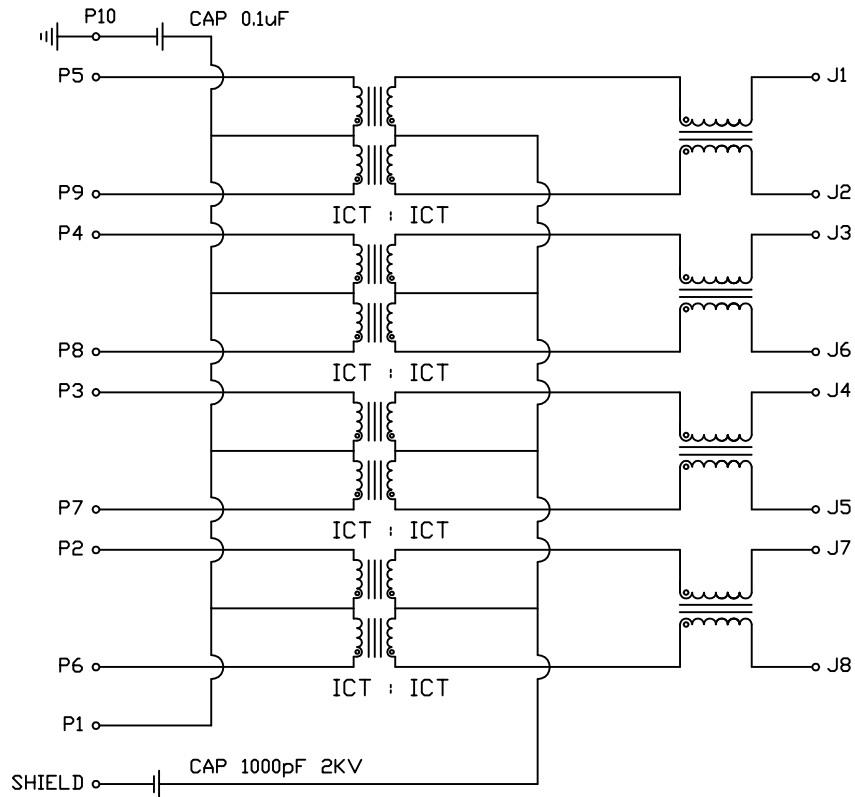
**NOTE:**  
GIGABIT ETHERNET (1000 BASE-T) MAGNETICS



EDAC INC  
TORONTO, ONTARIO  
CANADA  
YOUR CONNECTION TO QUALITY & SERVICE

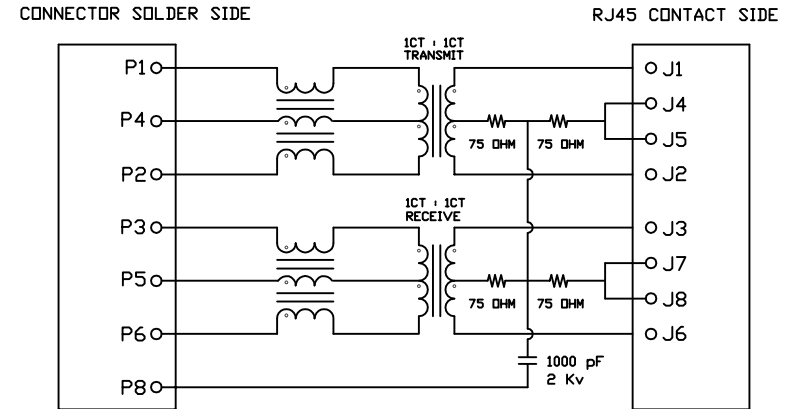
# STANDARD RJ45 MAGNETIC JACKS ELECTRICAL CIRCUIT TYPE

## 30 TYPE

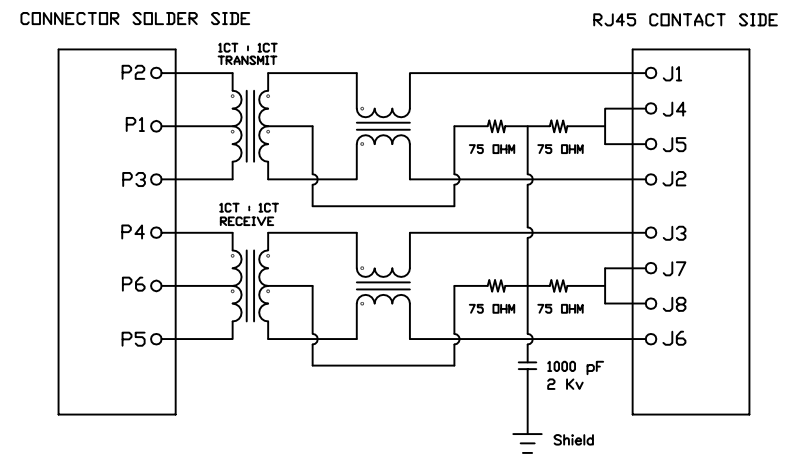


**NOTE:**  
GIGABIT ETHERNET (1000 BASE-T) MAGNETICS

## 23 TYPE



## 24 TYPE





EDAC INC  
TORONTO, ONTARIO  
CANADA

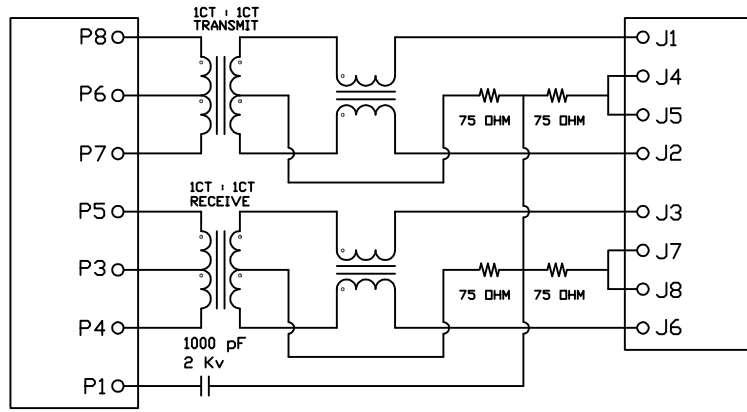
YOUR CONNECTION TO QUALITY & SERVICE

# STANDARD RJ45 MAGNETIC JACKS ELECTRICAL CIRCUIT TYPE

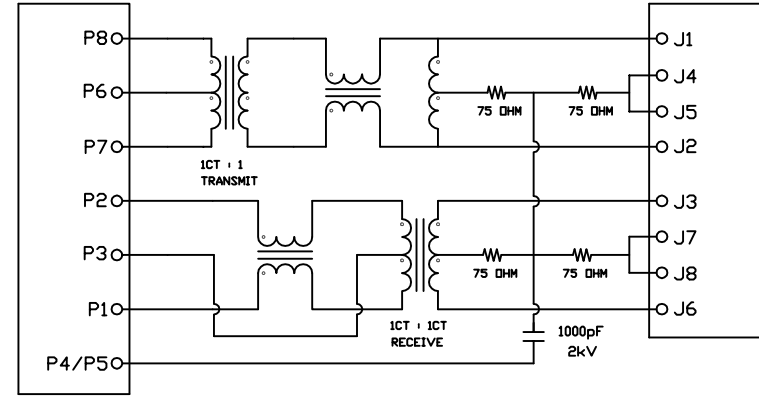
## 37 TYPE

CONNECTOR SOLDER SIDE

RJ45 CONTACT SIDE



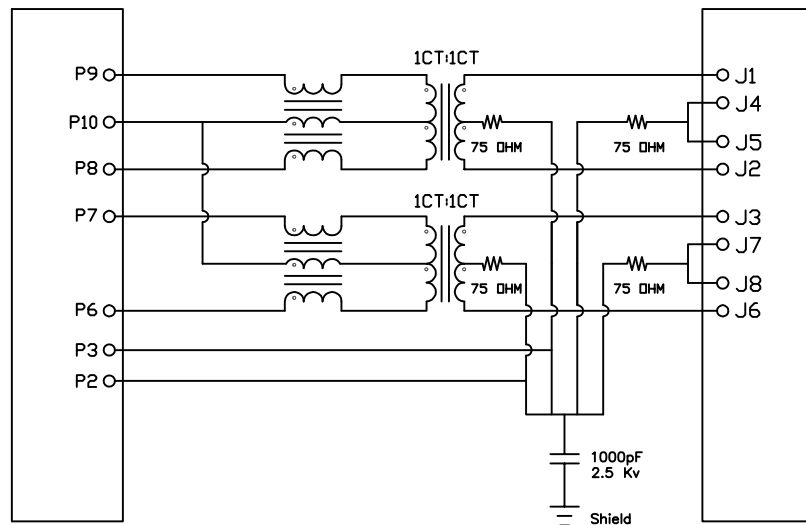
## 38 TYPE



## 39 TYPE

CONNECTOR SOLDER SIDE

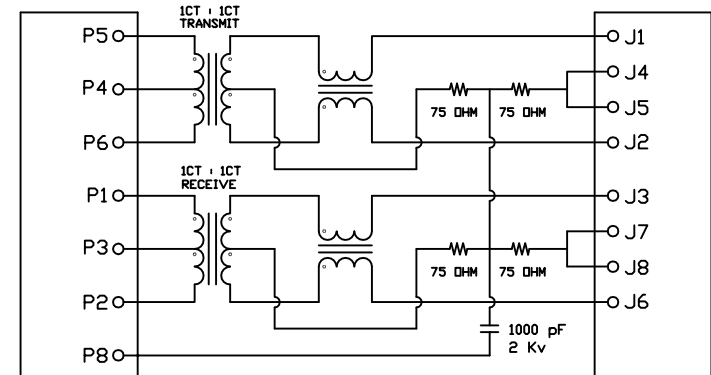
RJ45 CONTACT SIDE



## 40 TYPE

CONNECTOR SOLDER SIDE

RJ45 CONTACT SIDE



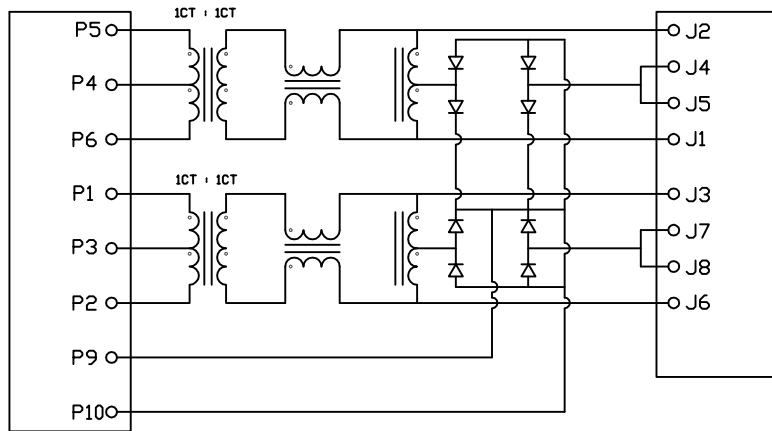


EDAC INC  
TORONTO, ONTARIO  
CANADA

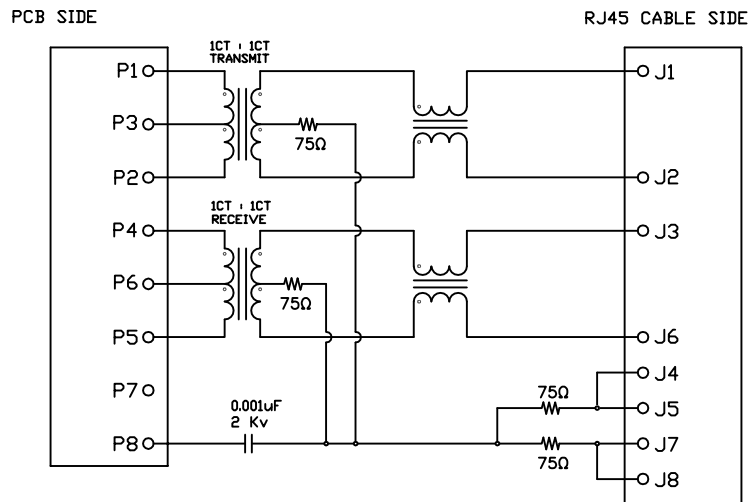
YOUR CONNECTION TO QUALITY & SERVICE

# STANDARD RJ45 MAGNETIC JACKS ELECTRICAL CIRCUIT TYPE

## 41 TYPE



## 42 TYPE





EDAC INC  
TORONTO, ONTARIO  
CANADA

YOUR CONNECTION TO QUALITY & SERVICE

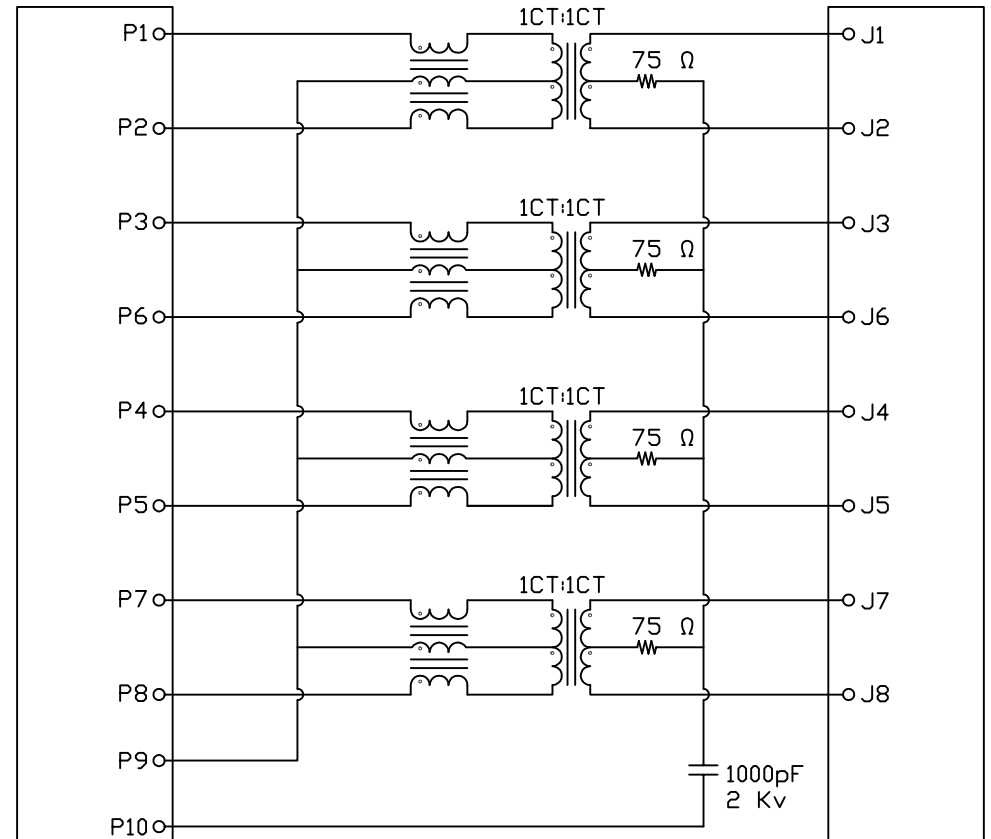
# STANDARD RJ45 MAGNETIC JACKS ELECTRICAL CIRCUIT TYPE

## 64 TYPE

## 65 TYPE

CONNECTOR SOLDER SIDE

RJ45 CONTACT SIDE



**NOTE:**  
GIGABIT ETHERNET (1000 BASE-T) MAGNETICS

**NOTE:**  
GIGABIT ETHERNET (1000 BASE-T) MAGNETICS





EDAC INC  
TORONTO, ONTARIO  
CANADA

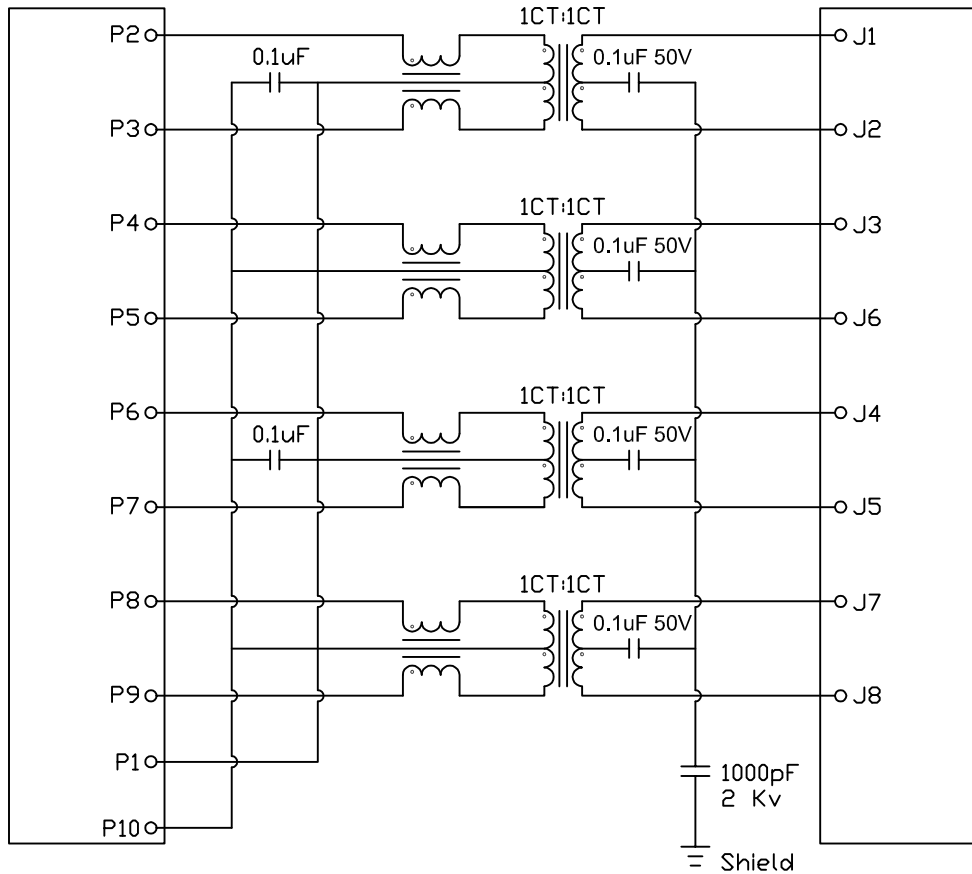
YOUR CONNECTION TO QUALITY & SERVICE

# STANDARD RJ45 MAGNETIC JACKS ELECTRICAL CIRCUIT TYPE

## 72 TYPE

CONNECTOR SOLDER SIDE

RJ45 CONTACT SIDE



### NOTE:

GIGABIT ETHERNET (1000 BASE-T) MAGNETICS

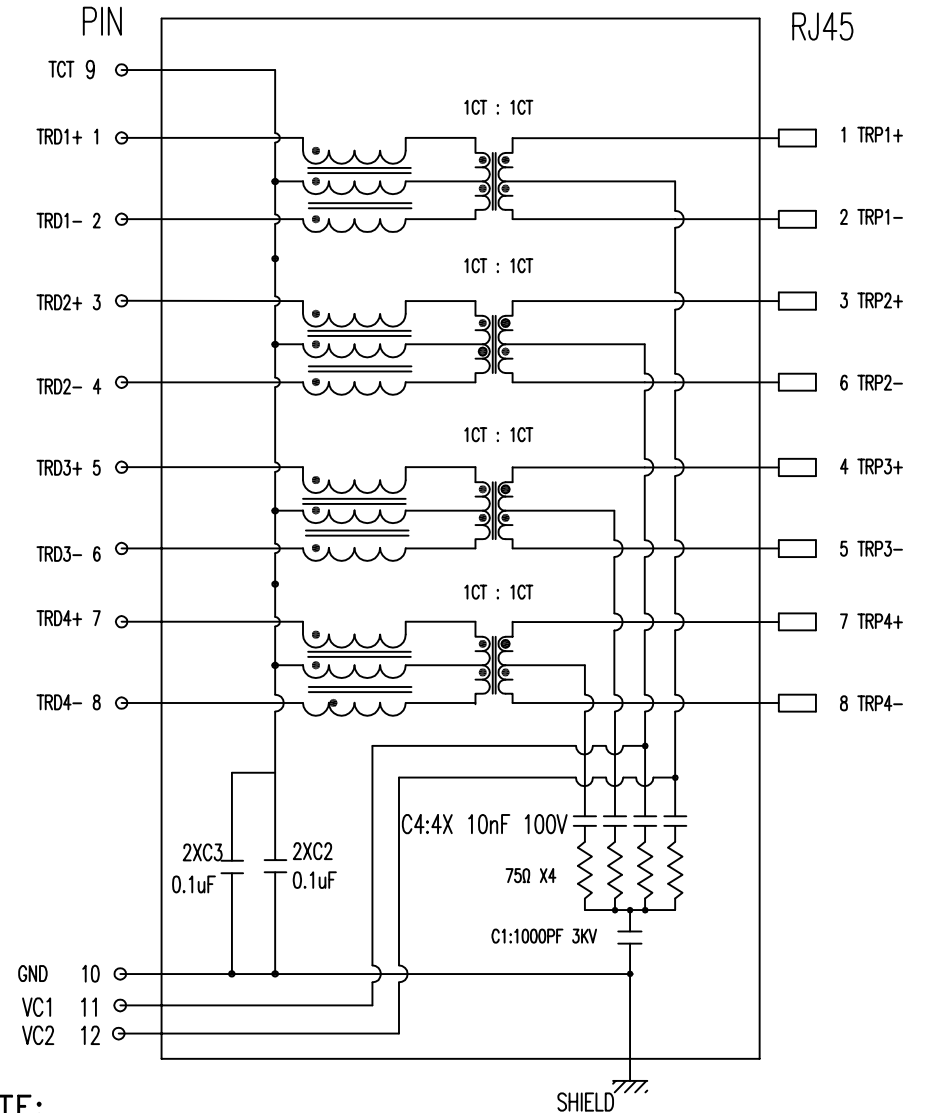


EDAC INC  
TORONTO, ONTARIO  
CANADA

YOUR CONNECTION TO QUALITY & SERVICE

# STANDARD RJ45 MAGNETIC JACKS ELECTRICAL CIRCUIT TYPE

## 19 TYPE: POWER OVER ETHERNET



**NOTE:**  
1000 BASE-T MAGNETICS

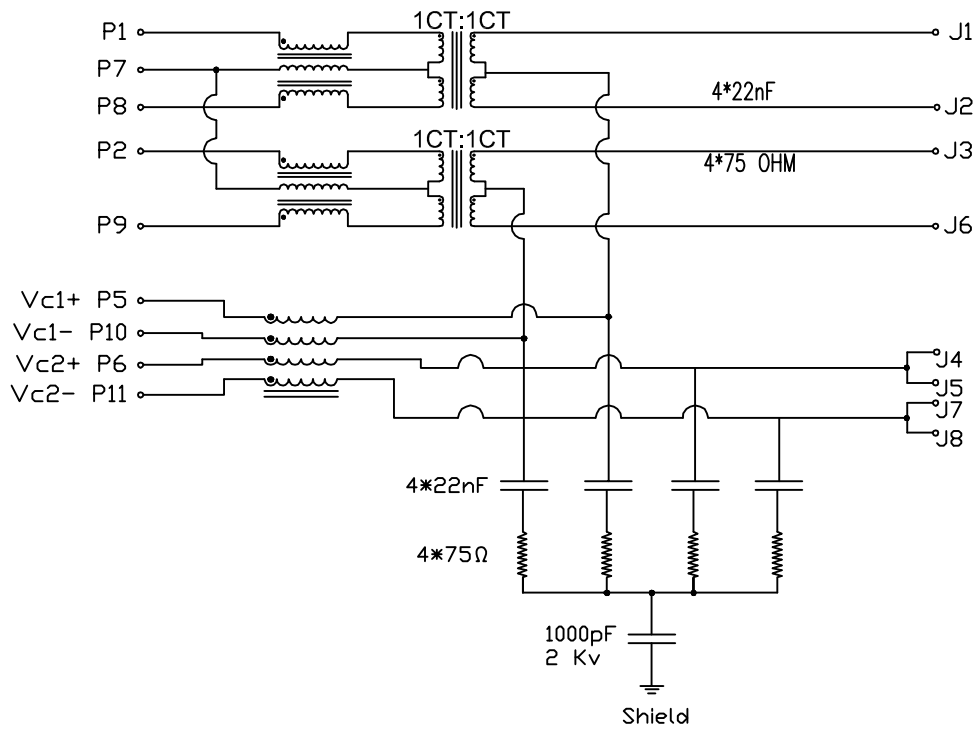


EDAC INC  
TORONTO, ONTARIO

YOUR CONNECTION TO QUALITY & SERVICE

# STANDARD RJ45 MAGNETIC JACKS ELECTRICAL CIRCUIT TYPE

## 15 TYPE: POWER OVER ETHERNET

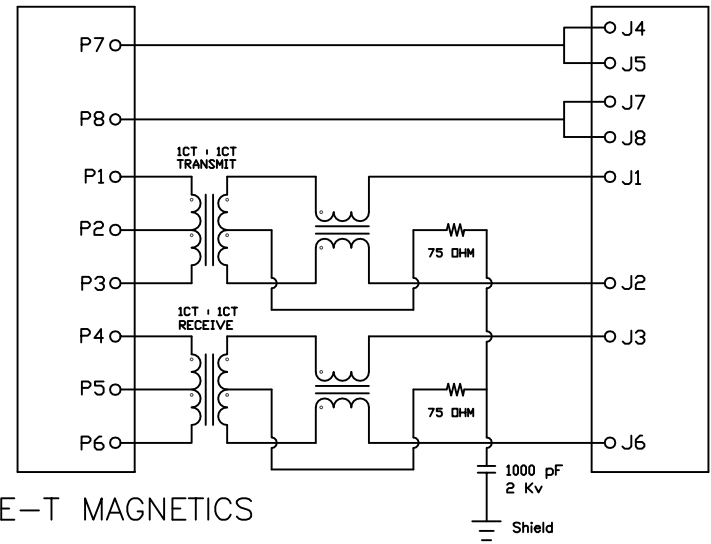


**NOTE:**  
100 BASE-T MAGNETICS

## 16 TYPE

CONNECTOR SOLDER SIDE

RJ45 CONTACT SIDE



**NOTE:**  
100 BASE-T MAGNETICS

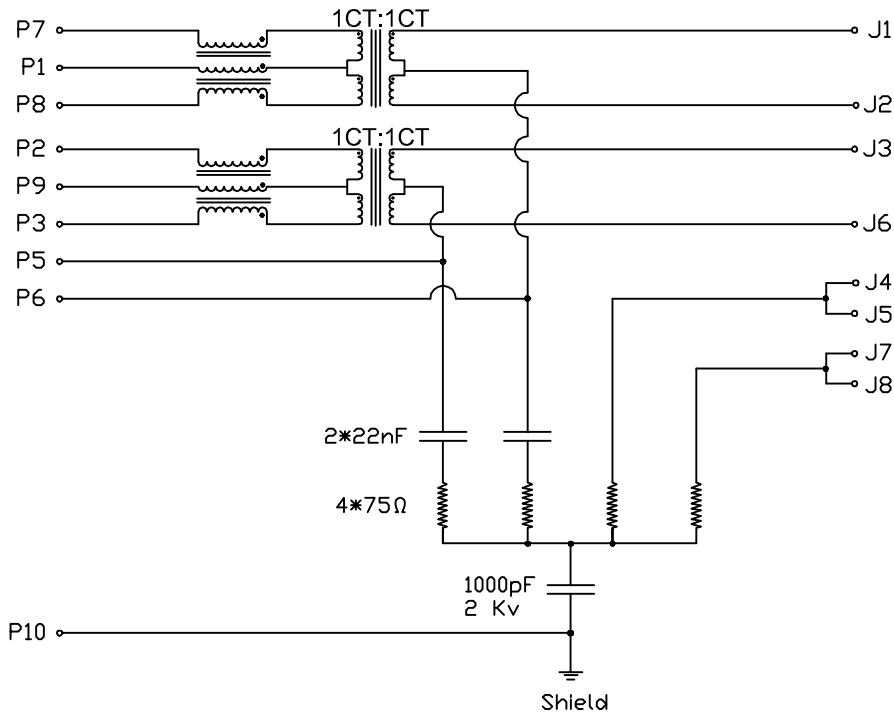


EDAC INC  
TORONTO, ONTARIO

YOUR CONNECTION TO QUALITY & SERVICE

# STANDARD RJ45 MAGNETIC JACKS ELECTRICAL CIRCUIT TYPE

## 17 TYPE: POWER OVER ETHERNET

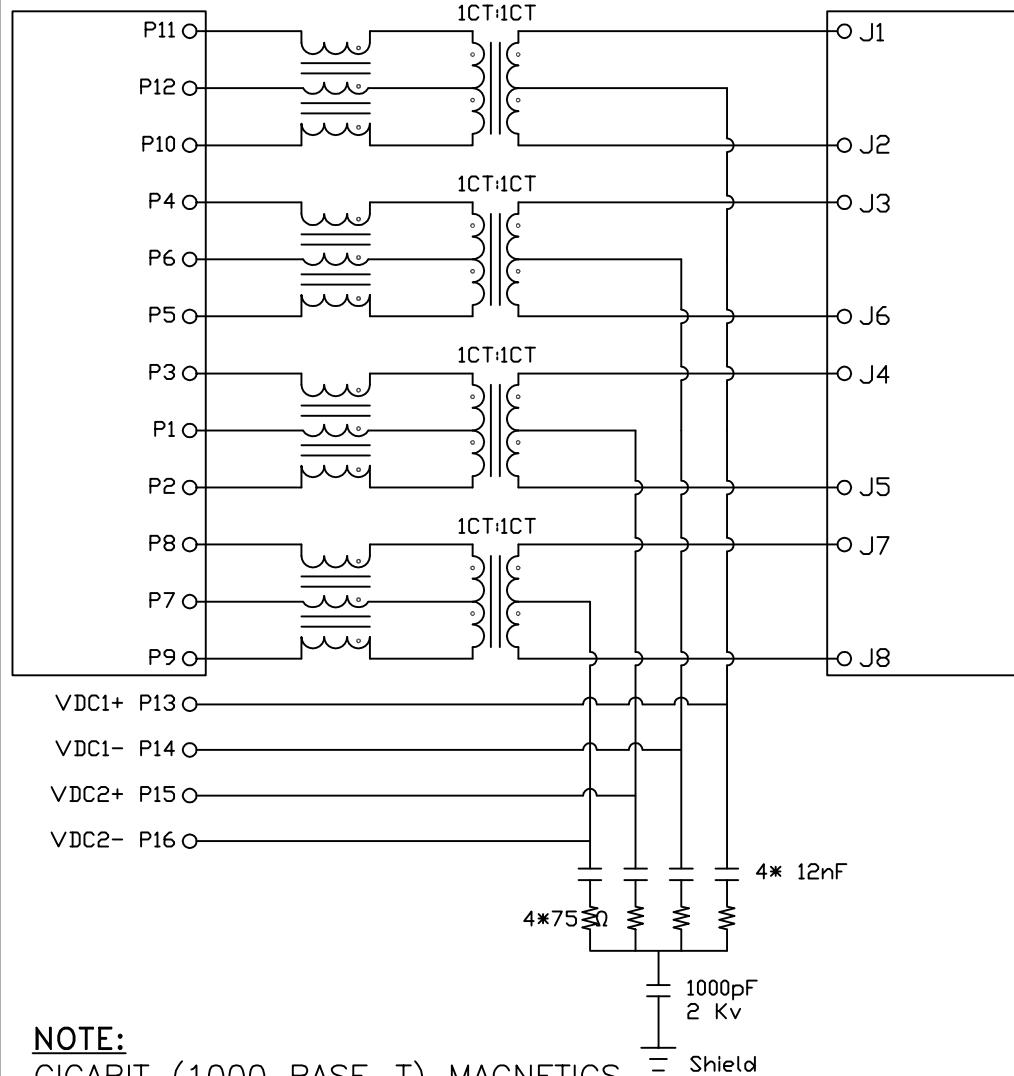


**NOTE:**  
100 BASE-T MAGNETICS

## 18 TYPE: POWER OVER ETHERNET

CONNECTOR SOLDER SIDE

RJ45 CONTACT SIDE



**NOTE:**  
GIGABIT (1000 BASE-T) MAGNETICS