



161 Alden Road, Units 7 & 8, Markham, Ontario Canada L3R 3W7
 Tel: +1 416 754-3322 Fax: +1 416-754-3299
 Email: support@edac.net http://www.edac.net

ENGINEERING CHANGE NOTICE

Originator:	Bo Byoung Jeon	Date:	November 9, 2023	Document Number	ECN20231109-00
Phone No.	(416) 754-3322	Part Number		Drawing Revision	
Email Address:	bbjeon@edac.net				
Department	ENGINEERING		A63-242-230N134		Rev.2

CHANGE TYPE

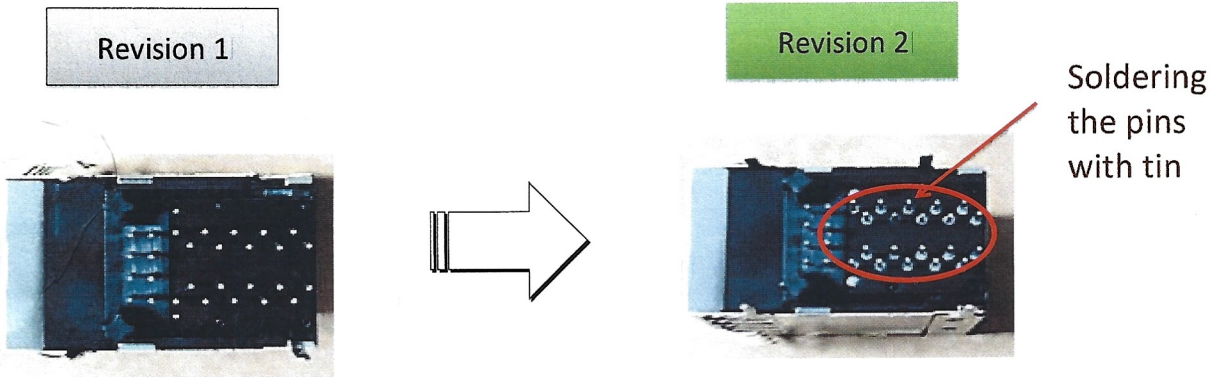
- CLASS I Customer notification and approval required prior to implementation
- CLASS II Customer notification only, no approval required
- CLASS III No customer notification required

REASON OF CHANGE

To improve product stability

DESCRIPTION OF CHANGE:

Soldering pins in the bottom PCB with tin to make the product stable in the quality.



2. Effective implementation to distribution is on November 09, 2023

Note: N/A

PARTIES AFFECTED

- Customer
- Distributors
- Suppliers
- NORCOMP
- MH
- ETW
- ECA
- EDG
- EDAC UK

KEY TARGET DUE DATES IF CHANGE IS APPROVED TO PROCEED (check if applicable and show target dates as known)

- Submit Quote _____
- Prod. Trial Run _____
- Run at Rate _____
- PPAP from Supplier _____
- MRD of Production Parts _____

ACKNOWLEDGEMENT FOR ECN INITIATION: (OPTIONALS)		STATUS
Tooling Rep _____ Mfg Eng Rep _____ Production Rep _____ Materials Rep _____ Quality Rep _____ Bo Byoung Jeon	Process Eng Rep _____ Facilities Rep _____ Sales Rep _____ Product Eng. Rep. _____ Purchasing Rep _____ Jacky Lai	APPROVED
APPROVALS FOR ECN INITIATION (REQUIRED)		CCS CHANGE REQUEST #
<input checked="" type="checkbox"/> Vice President Bob Sakitkovski <input checked="" type="checkbox"/> Engineering Manager Ronnie Sta. Ronnie Sta. Monica Monica <input checked="" type="checkbox"/> Business Development Manager Kobie Samuels	<input checked="" type="checkbox"/> Quality Engineer Bo Byoung Jeon <input checked="" type="checkbox"/> Mechanical Engin _____	REJECTED
<small>Digitally signed by Bo Byoung Jeon DN: cn=Bo Byoung Jeon, o=EDAC INC, ou=Quality Engineering, email=bbjeon@edac.net, c=CA Date: 2023.11.09 13:02:44 -0500</small>		Change REJECTED by:
MINIMUM OF TWO SIGNATURES REQUIRED		Rejected Date:

THIS IS A C.A.D. GENERATED DRAWING
DO NOT MAKE MANUAL REVISIONS TO MASTER.
UNLESS OTHERWISE SPECIFIED ALL DIMENSIONS TOLERANCES IS ± 0.254



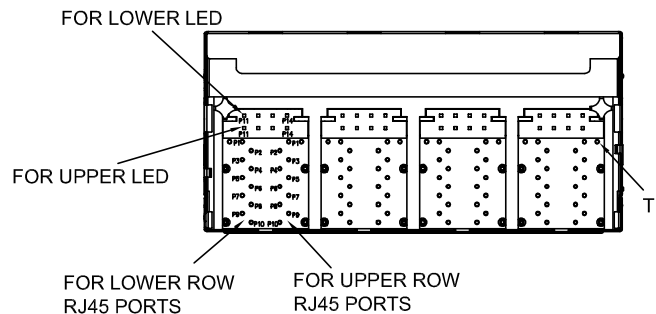
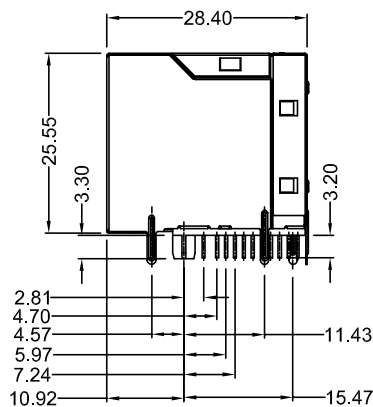
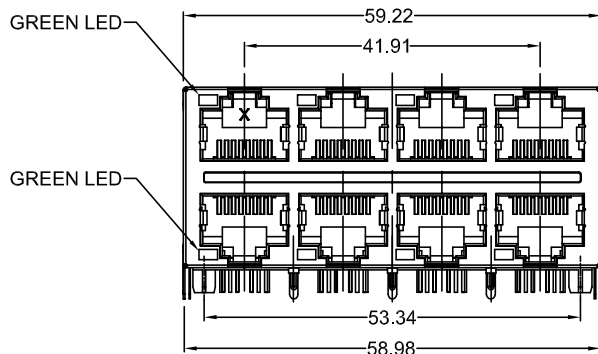
ISSUE NUMBER	
ORIGINAL	①
ADD "TIN SOLDERING ON ALL PINS" UPDATE LED SPECIFICATION	
J.L.	NOV. 09/2023
	②

NOTES:

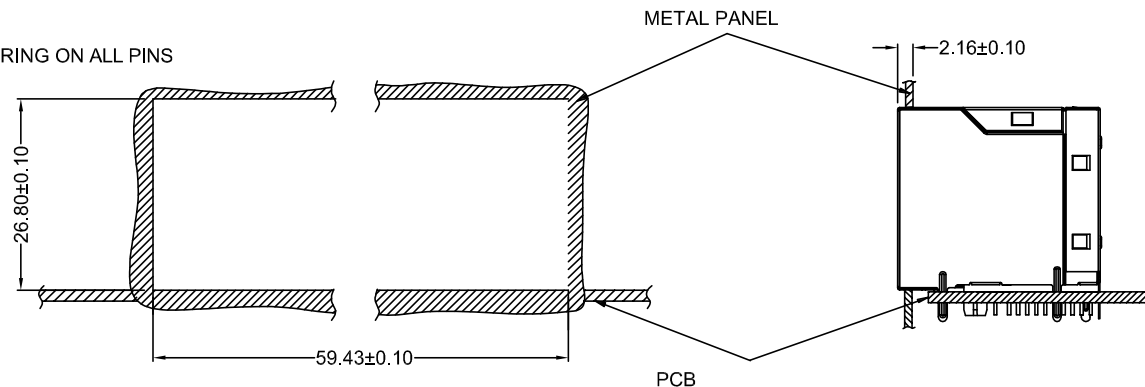
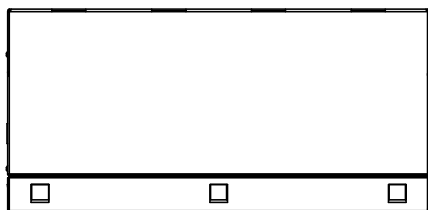
MATERIAL:

HOUSING: PA66, UL94V-0 COLOR: BLACK
 INSERT: PBT, UL94V-0 COLOR: BLACK
 SHIELD: BRASS
 SHIELD PLATING: NICKEL
 CONTACT: COPPER ALLOY
 CONTACT PLATING: SELECTIVE GOLD 6u" MIN IN CONTACT AREA

- PIN NOT ELECTRICALLY CONNECTED MAYBE OMITTED
SEE ELECTRICAL DRAWING FOR OMITTED PINS
- RJ45 CAVITIES COMFORM TO FCC RULES AND REGULATION PART 68
- THE PART IS RECOMMENDED FOR WAVE SOLDERING PROCESS
PEAK SOLDERING: TEMPERATURE IS 260°C MAX.
10 SECS MAX
- OPERATING TEMPERATURE: -40°C TO 85°C
- STORAGE TEMPERATURE: -40°C TO 85°C



PLUG IN SIDE



LED SPECIFICATION			
STANDARD LED	WAVELENGTH	FORWARD V(max)	TYP
GREEN	565nm	2.4V	2.2V
YELLOW	590nm	2.5V	2.1V



THIS SERIES FULLY CONFORMS TO
THE EUROPEAN UNION DIRECTIVES
2011/65/EU FOR RoHS COMPLIANCY.



EDAC INC
TORONTO, ONTARIO
CANADA
YOUR CONNECTION TO QUALITY & SERVICE

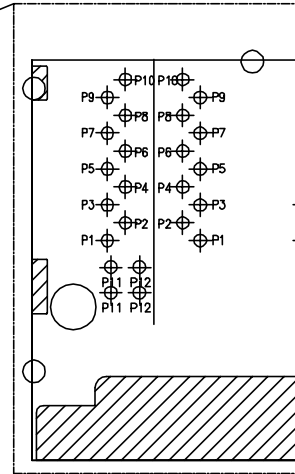
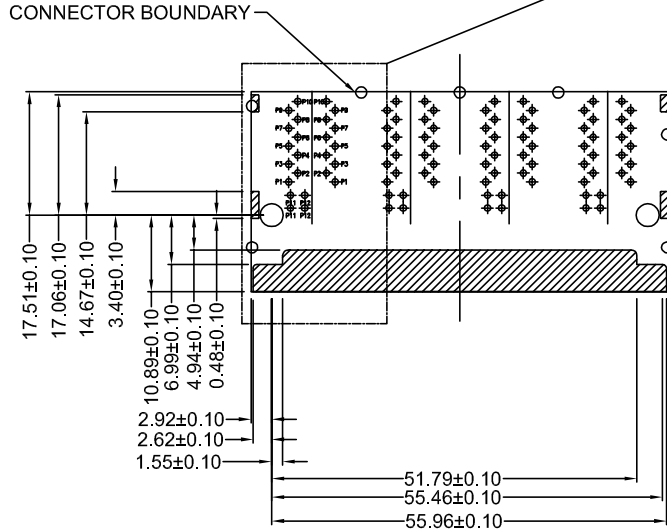
THESE DRAWINGS AND SPECIFICATIONS
ARE THE PROPERTY OF EDAC INC., AND
SHALL NOT BE REPRODUCED, OR COPIED
OR USED AS THE BASIS FOR THE
MANUFACTURE OR SALE OF APPARATUS
WITHOUT WRITTEN PERMISSION.

RJ45 ICM 10/100 BASE-T 2*4 PORTS

ACAD REFERENCE NO.: A63-242-230N134	
DRAWN: P.M.	DATE: OCT. 14/2020
CHECKED: R.S.M.	DATE: NOV. 09/2023
SCALE: N.T.S	SHEET 1 OF 2
DRAWING NUMBER: A63-242-230N134	ISSUE
PART NUMBER: A63-242-230N134	2

UNLESS OTHERWISE SPECIFIED, ALL DIMENSIONS
TOLERANCES IS ± 0.10

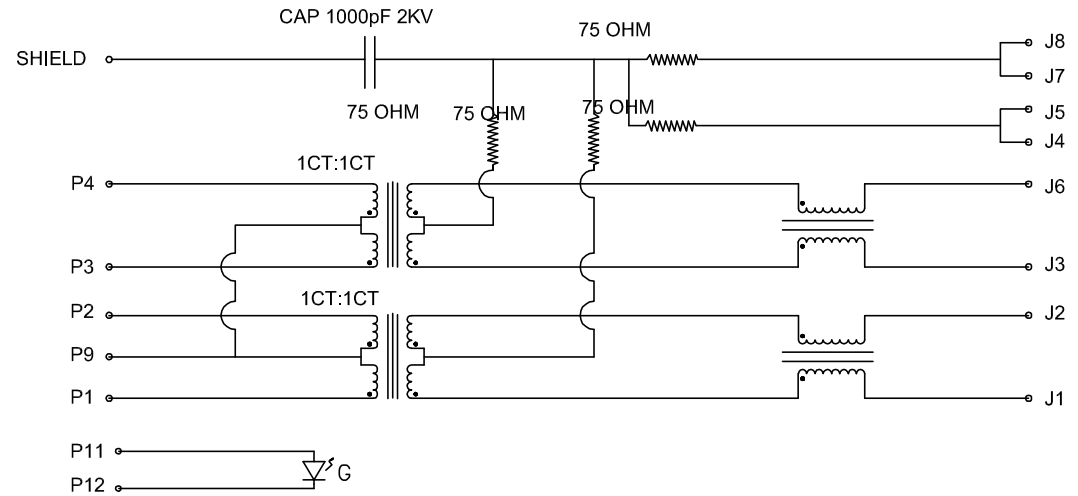
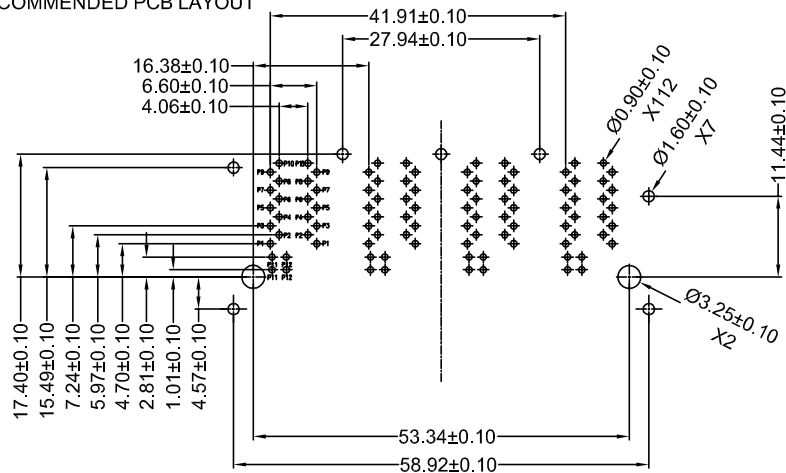
1. COMPONENT KEEP OUT AREA



NOTES:

- TURN RATIO @100KHz: (P1~P2):(J1~J2) = 1:1±5%
(P3~P4):(J3~J6) = 1.1±5%
- PRIMARY INDUCTANCE: 350uH MIN @100KHz, 0.1V 8mA DC BIAS
- DC RESISTANCE: (J1~J2):(J3~J6) 1.2 OHMS MAX
- INSERTION LOSS: 1-100MHz -1.2 OHMS MAX
- RETURN LOSS: 1-30MHz -16dB MAX
30-60MHz -12dB MIN
60-80MHz -10dB MIIN
- CROSS TALK: 1-100MHz -30dB MIN
- COMMON TO COMMON MODE ATTENUATION: 1-100MHz -30dB MIN
- ISOLATION: PHY SIDE TO LINE SIDE: 1500VAC OR 2250VDC

2. RECOMMENDED PCB LAYOUT



PIN	GREEN
P11	+
P12	-



THIS SERIES FULLY CONFORMS TO THE EUROPEAN UNION DIRECTIVES 2011/65/EU FOR RoHS COMPLIANCY.



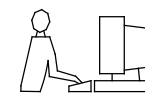
EDAC INC
TORONTO, ONTARIO
CANADA

YOUR CONNECTION TO QUALITY & SERVICE

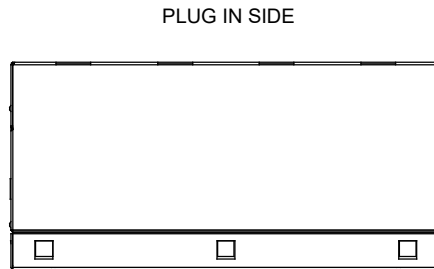
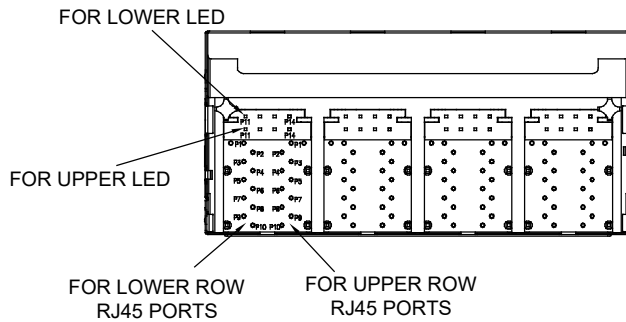
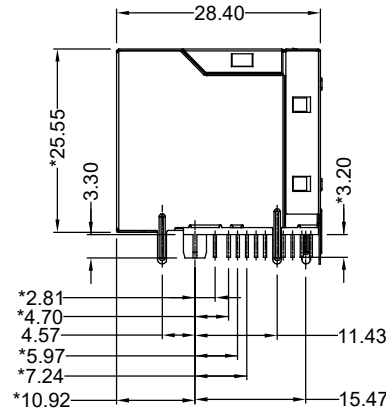
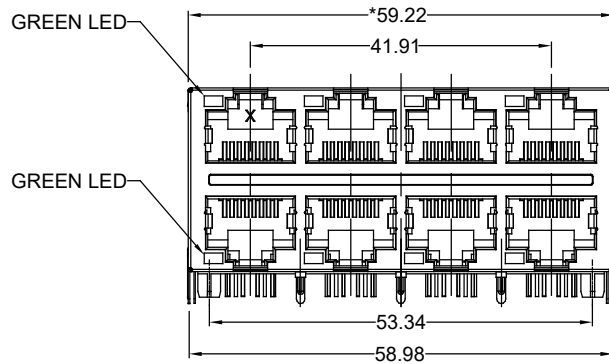
THESE DRAWINGS AND SPECIFICATIONS ARE THE PROPERTY OF EDAC INC., AND SHALL NOT BE REPRODUCED, OR COPIED OR USED AS THE BASIS FOR THE MANUFACTURE OR SALE OF APPARATUS WITHOUT WRITTEN PERMISSION.

RJ45 ICM 10/100 BASE-T 2*4 PORTS

ACAD REFERENCE NO.: A63-242-230N134	
DRAWN: P.M.	DATE: OCT. 14/2020
CHECKED: R.S.M.	DATE: NOV. 09/2023
SCALE: N.T.S	SHEET 2 OF 2
DRAWING NUMBER: A63-242-230N134	ISSUE
PART NUMBER: A63-242-230N134	2



UNLESS OTHERWISE SPECIFIED, ALL DIMENSIONS
 TOLERANCES IS ± 0.254

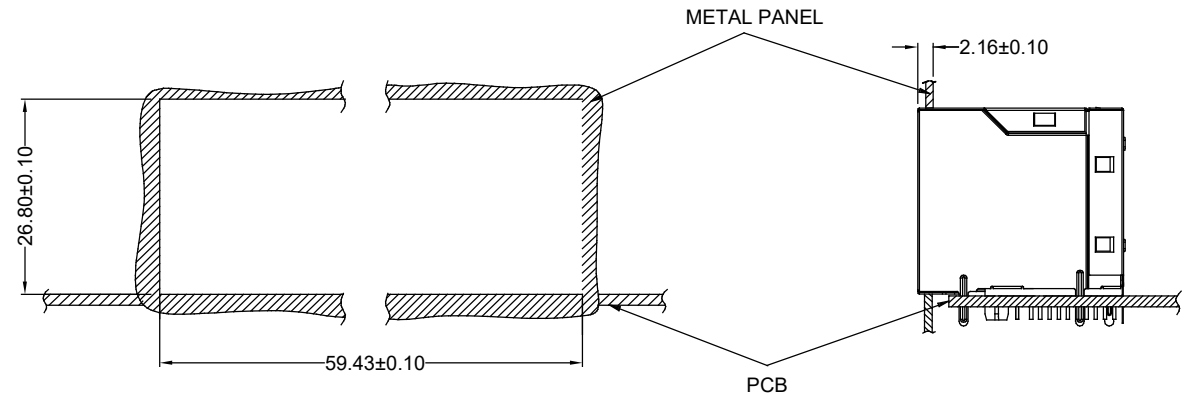


NOTES:

MATERIAL:

HOUSING: PA66, UL94V-0 COLOR: BLACK
 INSERT: PBT, UL94V-0 COLOR: BLACK
 SHIELD: BRASS
 SHIELD PLATING: NICKEL
 CONTACT: COPPER ALLOY
 CONTACT PLATING: SELECTIVE GOLD 6u" MIN IN CONTACT AREA

- PIN NOT ELECTRICALLY CONNECTED MAYBE OMITTED
 SEE ELECTRICAL DRAWING FOR OMITTED PINS
- RJ45 CAVITIES COMFORM TO FCC RULES AND REGULATION PART 68
- THE PART IS RECOMMENDED FOR WAVE
 SOLDERING PROCESS PEAK SOLDERING: TEMPERATURE IS 260°C MAX.
 10 SECS MAX
- OPERATING TEMPERATURE: -40°C TO 85°C
- STORAGE TEMPERATURE: -40°C TO 85°C
- ALL CRITICAL DIMENSIONS WITH " * " "



LED SPECIFICATION			
STANDARD LED	WAVELENGTH	FORWARD V(max)	TYP
GREEN	565nm	2.4V	2.2V



THIS SERIES FULLY CONFORMS TO
 THE EUROPEAN UNION DIRECTIVES
 2011/65/EU FOR RoHS COMPLIANCY.



EDAC INC
 TORONTO, ONTARIO
 CANADA
 YOUR CONNECTION TO QUALITY & SERVICE

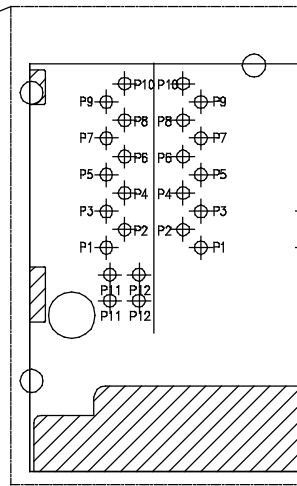
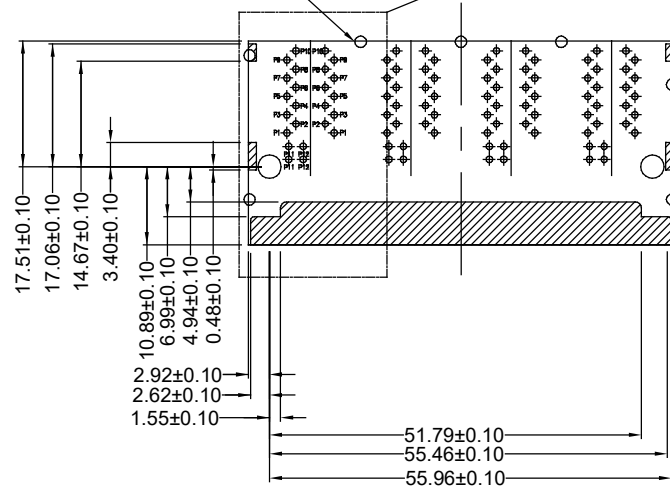
THESE DRAWINGS AND SPECIFICATIONS
 ARE THE PROPERTY OF EDAC INC., AND
 SHALL NOT BE REPRODUCED, OR COPIED
 OR USED AS THE BASIS FOR THE
 MANUFACTURE OR SALE OF APPARATUS
 WITHOUT WRITTEN PERMISSION.

RJ45 ICM 10/100 BASE-T 2*4 PORTS

ACAD REFERENCE NO.: A63-242-230N134	
DRAWN: P.M.	DATE: OCT. 14/2020
CHECKED: C.B.	DATE: OCT. 14/2020
SCALE: N.T.S	SHEET 1 OF 2
DRAWING NUMBER: A63-242-230N134	ISSUE
PART NUMBER: A63-242-230N134	1

UNLESS OTHERWISE SPECIFIED, ALL DIMENSIONS
TOLERANCES IS ± 0.10

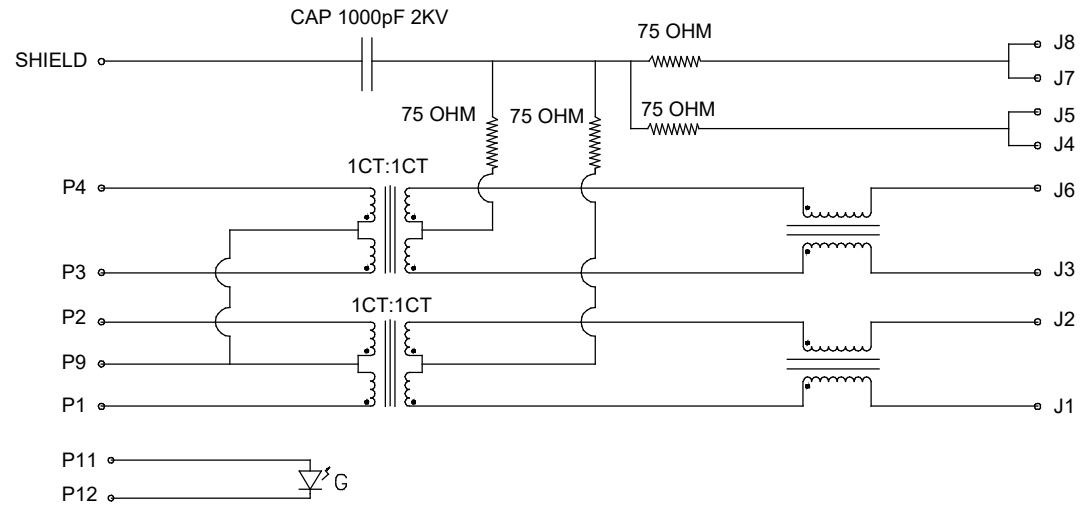
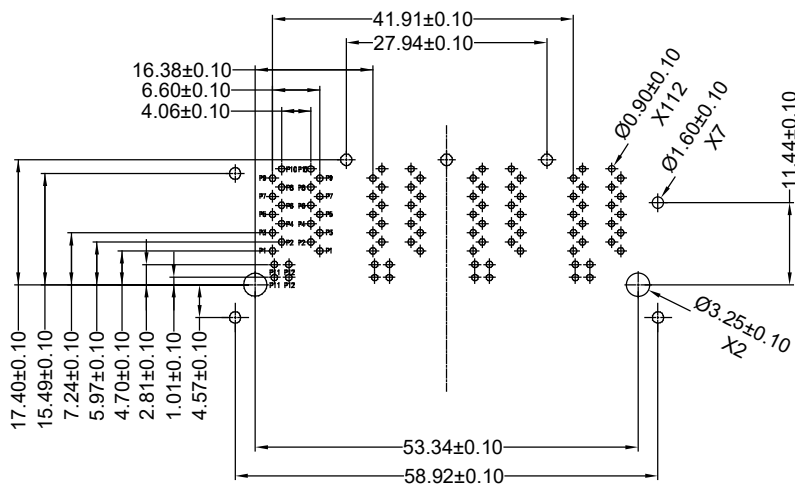
CONNECTOR BOUNDARY



PINS ASSIGNMENT

NOTES:

- TURN RATIO @100KHz: (P1~P2):(J1~J2) = 1:1 \pm 5%
(P3~P4):(J3~J6) = 1:1 \pm 5%
- PRIMARY INDUCTANCE: 350uH MIN @100KHZ, 0.1V 8mA DC BIAS
- DC RESISTANCE: (J1~J2):(J3~J6) 1.2 OHMS MAX
- INSERTION LOSS: 1-100MHz -1.2 OHMS MAX
- RETURN LOSS: 1-30MHz -16dB MAX
30-60MHz -12dB MIN
60-80MHz -10dB MIIN
- CROSS TALK: 1-100MHz -30dB MIN
- COMMON TO COMMON MODE ATTENUATION: 1-100MHz -30dB MIN
- ISOLATION: PHY SIDE TO LINE SIDE: 150VAC OR 2250VDC



PIN	GREEN
P11	+
P12	-

RJ45 ICM 10/100 BASE-T 2*4 PORTS

ACAD REFERENCE NO.: A63-242-230N134

DRAWN: P.M. DATE: OCT. 14/2020

CHECKED: C.B. DATE: OCT. 14/2020

SCALE: N.T.S. SHEET 2 OF 2

DRAWING NUMBER: A63-242-230N134

ISSUE

PART NUMBER: A63-242-230N134

1



THIS SERIES FULLY CONFORMS TO
THE EUROPEAN UNION DIRECTIVES
2011/65/EU FOR RoHS COMPLIANCY.



YOUR CONNECTION TO QUALITY & SERVICE

EDAC INC
TORONTO, ONTARIO
CANADA

THESE DRAWINGS AND SPECIFICATIONS
ARE THE PROPERTY OF EDAC INC., AND
SHALL NOT BE REPRODUCED, OR COPIED
OR USED AS THE BASIS FOR THE
MANUFACTURE OR SALE OF APPARATUS
WITHOUT WRITTEN PERMISSION.