



161 Alden Road, Units 7 & 8, Markham, Ontario Canada L3R 3W7

Tel: +1 416 754-3322

Fax: +1 416-754-3299

Email: info@edac.net

http://www.edac.net

ENGINEERING CHANGE NOTICE

Originator:	Bo Byoung Jeon	Date:	June 13, 2023	Document Number	ECN20230613-00
Phone No.	(416) 754-3322	Part Number	690-W05-260-043	Drawing Revision	Rev.4
Email Address:	bbjeon@edac.net				
Department	ENGINEERING				

CHANGE TYPE

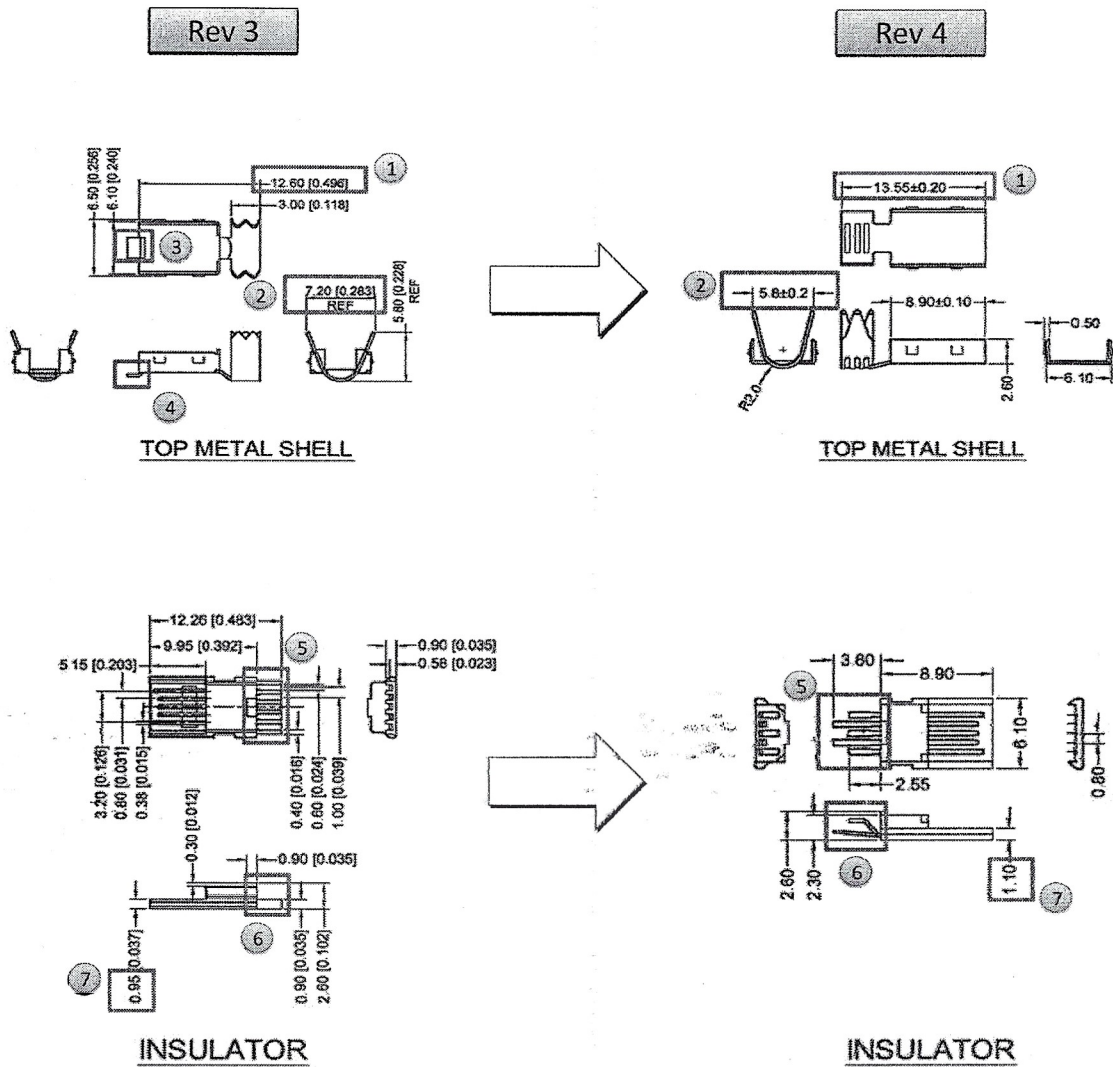
- CLASS I Customer notification and approval required prior to implementation
- CLASS II Customer notification only, no approval required
- CLASS III No customer notification required

REASON OF CHANGE

Insulator and top metal shell has worn out and new standardized tooling has been used as direct replacement.

DESCRIPTION OF CHANGE:

Dimensions and appearance in red circle numbers have been changed.



2. Effective implementation to distribution is on June 13, 2023

Note: N/A

PARTIES AFFECTED

Customer
 Distributors
 Suppliers

NORCOMP
 MH
 ETW

ECA
 EDG
 EDAC UK

KEY TARGET DUE DATES IF CHANGE IS APPROVED TO PROCEED (check if applicable and show target dates as known)

Submit Quote _____
 Prod. Trial Run _____
 Run at Rate _____

PPAP from Supplier _____
 MRD of Production Parts _____

ACKNOWLEDGEMENT FOR ECN INITIATION: (OPTIONALS)

STATUS

<input type="checkbox"/> Tooling Rep _____	<input type="checkbox"/> Process Eng Rep _____
<input type="checkbox"/> Mfg Eng Rep _____	<input type="checkbox"/> Facilities Rep _____
<input type="checkbox"/> Production Rep _____	<input type="checkbox"/> Sales Rep. _____
<input type="checkbox"/> Materials Rep _____	<input type="checkbox"/> Product Eng. Rep. <u>Jacky Lai</u>
<input checked="" type="checkbox"/> Quality Rep <u>Bo Byoung Jeon</u>	<input type="checkbox"/> Purchasing Rep _____

APPROVED
CCS CHANGE REQUEST # _____

APPROVALS FOR ECN INITIATION (REQUIRED)

<input checked="" type="checkbox"/> Vice President <u>Bob Sakitkovski</u>	<input checked="" type="checkbox"/> Quality Engineer <u>Bo Byoung Jeon</u>
<input checked="" type="checkbox"/> Engineering Manager <u>Ronnie Sta. Monica</u>	<input checked="" type="checkbox"/> Mechanical Engineer <u>Jacky Lai</u>
<input checked="" type="checkbox"/> Business Development Manager <u>Kobie Samuels</u>	

Kobie Samuels 6-19-23

Digitally signed by Ronnie Sta. Monica
DN: cn=Ronnie Sta. Monica, o=General Motors, ou=Engineering, email=Ronnie.Sta.Monica@gm.com, c=US

Digitally signed by Bo Byoung Jeon
DN: cn=Bo Byoung Jeon, o=General Motors, ou=Quality Engineering, email=Bo.Byoung.Jeon@gm.com, c=US

Digitally signed by Jacky Lai
DN: cn=Jacky Lai, o=General Motors, ou=Engineering, email=Jacky.Lai@gm.com, c=US

MINIMUM OF TWO SIGNATURES REQUIRED

REJECTED
Change REJECTED by: _____
Rejected Date: _____



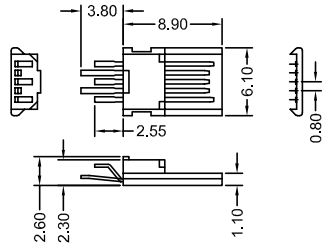
TOLERANCE UNLESS OTHERWISE SPECIFIED IN MM:
 0.0 ± 0.20
 0.00 ± 0.10
 0.000 ± 0.05
 0.0000 ± 0.03

ANGLE ±1°

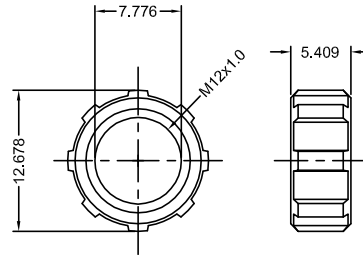
THIS IS A C.A.D. GENERATED DRAWING
 DO NOT MAKE MANUAL REVISIONS TO MASTER.



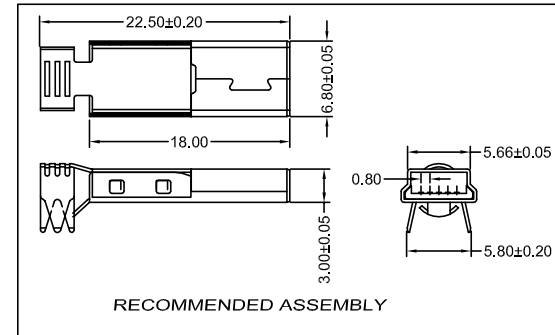
ISSUE NUMBER	
ORIGINAL	①
UPDATE INSULATOR DESIGN R.STA.MONICA	JUNE.18/2014 ②
ADD NOTE ON OVERMOULD R.STA.MONICA	MAR.08/2019 ③
TOP METAL SHELL AND INSULATOR DIMENSION UPDATE PMA	JUN.08/2023 ④
UPDATE ROHS J.L.	JUN.19/2023 ⑤



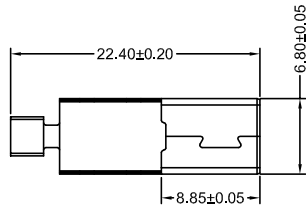
INSULATOR



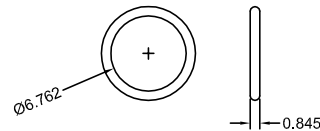
NUT



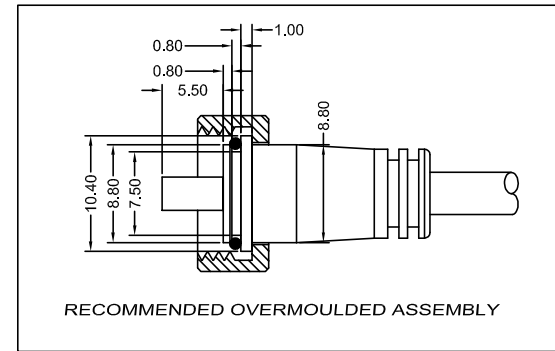
RECOMMENDED ASSEMBLY



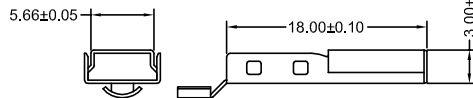
BOTTOM METAL SHELL



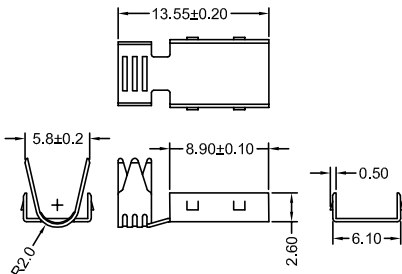
O-RING



RECOMMENDED OVERMOULDED ASSEMBLY



TOP METAL SHELL



1. MATERIAL :

- 1-1. HOUSING : PBT UL 94V-0
COLOR : BLACK
- 1-2. CONTACT : BRASS
- 1-3. NUT: PBT UL94V-0
- 1-4. O-RING : NBR (1*8) ; COLOR : BLACK.
- 1-5. SHELL UP: SPCC
- 1-6. SHELL DOWN: SPCC

2. FINISH :

- 2-1. CONTACT AREA : GOLD-FLASH
SOLDER AREA : BRIGHT TIN
- 2-2. SHELL UP: NICKEL
- 2-3. SHELL DOWN: NICKEL

3. SPECIFICATION:

- 3-1. RATED CURRENT: 1A
- 3-1. RATED VOLTAGE: 30V
- 3-1. WATER PROOF: IPX7

4. OPERATING TEMPERATURE:-20C TO +85C

WATERPROOF MINI USB TYPE B, 5P (MALE)



THIS SERIES FULLY CONFORMS TO THE EUROPEAN UNION DIRECTIVES 2011/65/EU FOR RoHS COMPLIANCY.



EDAC INC
 TORONTO, ONTARIO
 CANADA

YOUR CONNECTION TO QUALITY & SERVICE

THESE DRAWINGS AND SPECIFICATIONS ARE THE PROPERTY OF EDAC INC., AND SHALL NOT BE REPRODUCED, OR COPIED OR USED AS THE BASIS FOR THE MANUFACTURE OR SALE OF APPARATUS WITHOUT WRITTEN PERMISSION.

ACAD REFERENCE NO.: 690-W05-260-043

DRAWN: R.STA.MONICA DATE: MAY.01/2014

CHECKED: DATE:

PART NUMBER **690-W05-260-043** SHEET 1 OF 1

DRAWING NUMBER **690-W05-260-043** ISSUE 5