



161 Alden Road, Units 7 & 8, Markham, Ontario Canada L3R 3W7
 Tel: +1 416 754-3322 Fax: +1 416-754-3299
 Email: info@edac.net http://www.edac.net

ENGINEERING CHANGE NOTICE

Originator:	Bo Byoung Jeon	Date:	March 16, 2023	Document Number	ECN20230316-00
	Phone No. (416) 754-3322	Revision Number	1	SHEET	1 of 2
Email Address:	bbjeon@edac.net				
Department	ENGINEERING				

CHANGE TYPE

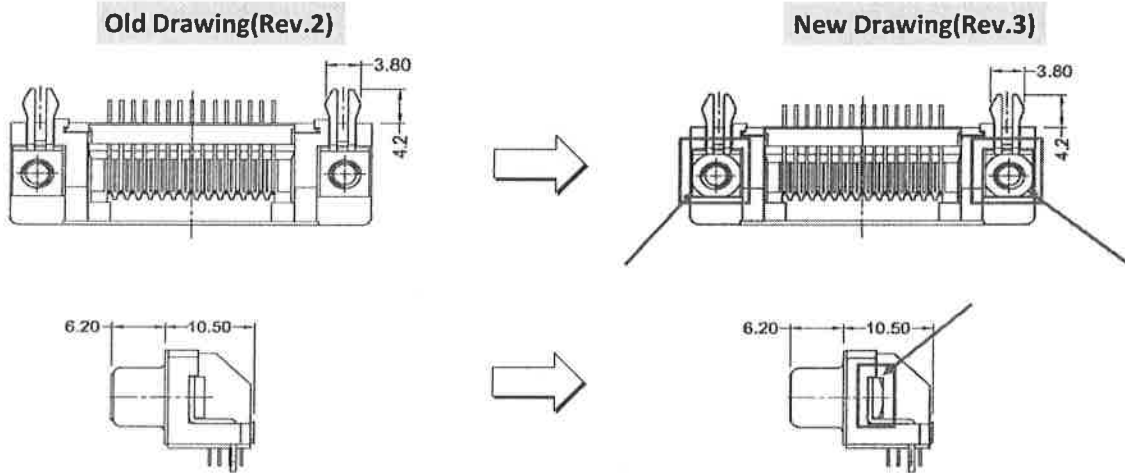
- CLASS I Customer notification and approval required prior to implementation
- CLASS II Customer notification only, no approval required
- CLASS III No customer notification required

REASON OF CHANGE

Quality improvement of PN# : 632-060-666-902

DESCRIPTION OF CHANGE:

The appearance of the M3 threaded inserts will have the minor change which is 4 chamfers as shown. Please find the differences in the following pictures (red arrow). It is minor change in the appearance. There is no issue with form, fit and functionality of the part.



2. Effective implementation to distribution is on March 16, 2023

Note: N/A

PARTIES AFFECTED

- Customer
- Distributors
- Suppliers
- NORCOMP
- MH
- ETW
- ECA
- EDG
- EDAC UK

KEY TARGET DUE DATES IF CHANGE IS APPROVED TO PROCEED (check if applicable and show target dates as known)

- Submit Quote
- Prod. Trial Run
- Run at Rate
- PPAP from Supplier
- MRD of Production Parts

ACKNOWLEDGEMENT FOR ECN INITIATION: (OPTIONALS)

Tooling Rep	_____	Process Eng Rep	_____
Mfg Eng Rep	_____	Facilities Rep	_____
Production Rep	_____	Sales Rep.	_____
Materials Rep	_____	Product Eng. Rep.	Ronnie Sta Monica
Quality Rep	Bo Byoung Jeon	Purchasing Rep	_____

STATUS

APPROVED
 CCS CHANGE REQUEST #

APPROVALS FOR ECN INITIATION (REQUIRED)

<input checked="" type="checkbox"/>	Vice President	Bob Sakitkovski	<input checked="" type="checkbox"/>	Quality Engineer	Bo Byoung Jeon
<input checked="" type="checkbox"/>	Engineering Manager	Ronnie Sta. Monica	<input checked="" type="checkbox"/>	Mechanical Engineer	_____
<input checked="" type="checkbox"/>	Business Development Manager	K. Samuels			

3-17-23

REJECTED
 Change REJECTED by:
 Rejected Date:

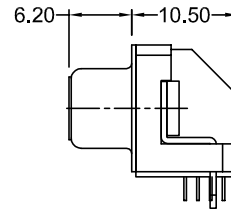
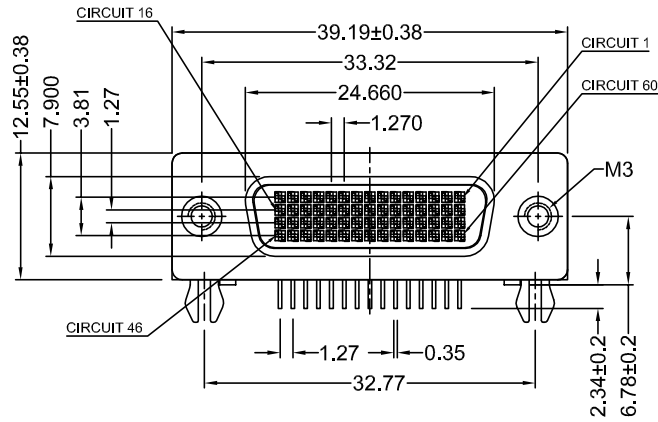
MINIMUM OF TWO SIGNATURES REQUIRED

TOLERANCE UNLESS OTHERWISE SPECIFIED	
.X	±0.38
.XX	±0.25
.XXX	±0.13

THIS IS A C.A.D. GENERATED DRAWING
DO NOT MAKE MANUAL REVISIONS TO MASTER.



ISSUE NUMBER	
ORIGINAL	①
HOUSING WAS IVORY C.B JUN. 21/2017	②
THREADED INSERTS: ADD CHAMFER J.L. MAR.07/2023	③

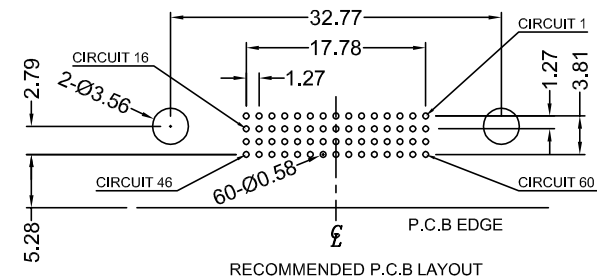
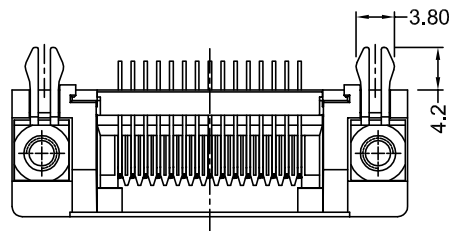
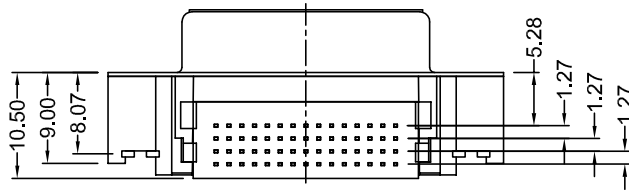


NOTES:

MATERIAL: LCP, BLACK COLOUR, UL94V-0
HOUSING: SPCC, NICKEL PLATING
SHELL: COPPER ALLOY,
CONTACT: 30µ" GOLD PLATING ON CONTACT AREA,
TIN PLATING ON SOLDER AREA,
NICKEL UNDER PLATING OVER ALL
BOARDLOCK: COPPER ALLOY, TIN PLATING
RIVET: COPPER ALLOY, NICKEL PLATING
SCREW: SPCC, NICKEL PLATING

OPERATING TEMPERATURE: -20°C ~ 80°C

CURRENT RATING: 3A per CONTACT
VOLTAGE RATING: 40V AC (RMS)
CONTACT RESISTANCE: 20mΩ MAX.
INSULATOR RESISTANCE: 500MΩ min.
DIELECTRIC WITHSTANDING VOLTAGE: 500V DC (RMS)



THIS SERIES FULLY CONFORMS TO
THE EUROPEAN UNION DIRECTIVES
2011/65/EU FOR RoHS COMPLIANCY.



YOUR CONNECTION TO QUALITY & SERVICE

EDAC INC
TORONTO, ONTARIO
CANADA

THESE DRAWINGS AND SPECIFICATIONS
ARE THE PROPERTY OF EDAC INC., AND
SHALL NOT BE REPRODUCED, OR COPIED
OR USED AS THE BASIS FOR THE
MANUFACTURE OR SALE OF APPARATUS
WITHOUT WRITTEN PERMISSION.

60P LFH TYPE FEMALE CONNECTOR		ACAD REFERENCE NO.: 632-060-666-902	
		DRAWN: C.B	DATE: JUN. 19/2017
EDAC INC TORONTO, ONTARIO CANADA		CHECKED: R.S.M.	DATE: MAR.07/2023
		SCALE: (IN C.A.D. 1:1)	SHEET 1 OF 1
YOUR CONNECTION TO QUALITY & SERVICE		DRAWING NUMBER: 632-060-666-902	ISSUE 3
		PART NUMBER: 632-060-666-902	