



161 Alden Road, Units 7 & 8, Markham, Ontario Canada L3R 3W7

Tel: +1 416 754-3322

Fax: +1 416-754-3299

Email: info@edac.net

http://www.edac.net

ENGINEERING CHANGE NOTICE

Originator:	Bo Byoung Jeon	Date:	September 28, 2020	Document Number	ECN20200928-00
Phone No.	(416) 754-3322	Part Number	B10-029-266-032 B10-029-266-039	Drawing Revision	Rev.16 Rev.01
Email Address:	bbjeon@edac.net				
Department	ENGINEERING				

CHANGE TYPE

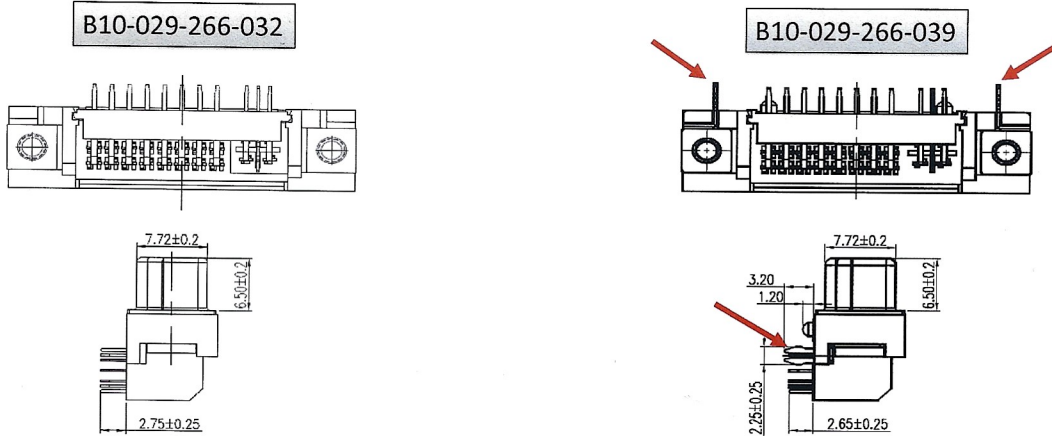
- CLASS I Customer notification and approval required prior to implementation
- CLASS II Customer notification only, no approval required
- CLASS III No customer notification required

REASON OF CHANGE

Boardlock removal for part no. B10-029-266-032
New part no. issuance: B10-029-266-039 with Boardlock.

DESCRIPTION OF CHANGE:

Board-lock is removed for part no. B10-029-266-032. See revision 16 dwg
New part no. B10-029-266-039 with boardlock has been issued.



2. Effective implementation to distribution is on September 28, 2020

Note: N/A

PARTIES AFFECTED

- Customer
- Distributors
- Suppliers
- NORCOMP
- MH
- ETW
- ECA
- EDG
- EDAC UK

KEY TARGET DUE DATES IF CHANGE IS APPROVED TO PROCEED (check if applicable and show target dates as known)

- Submit Quote
- Prod. Trial Run
- Run at Rate
- PPAP from Supplier
- MRD of Production Parts

ACKNOWLEDGEMENT FOR ECN INITIATION: (OPTIONALS)

Tooling Rep	_____	Process Eng Rep	_____
Mfg Eng Rep	_____	Facilities Rep	_____
Production Rep	_____	Sales Rep.	_____
Materials Rep	_____	Product Eng. Rep.	Patrick Martel
Quality Rep	Bo Byoung Jeon	Purchasing Rep	_____

STATUS	
APPROVED	<input checked="" type="checkbox"/>
CCS CHANGE REQUEST #	

APPROVALS FOR ECN INITIATION (REQUIRED)

- Vice President Bob Sakitkovski
- Quality Engineer Bo Byoung Jeon
- Engineering Manager Ronnie Sta Monica
- Mechanical Engin _____
- Business Development Manager Koble Samuels

MINIMUM OF TWO SIGNATURES REQUIRED

REJECTED	<input type="checkbox"/>
Change REJECTED by:	
Rejected Date:	

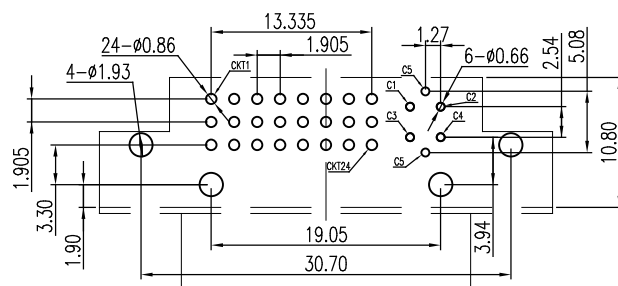
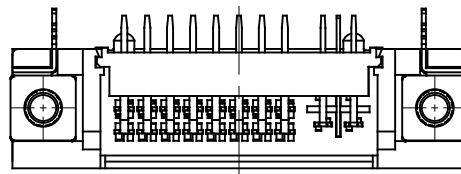
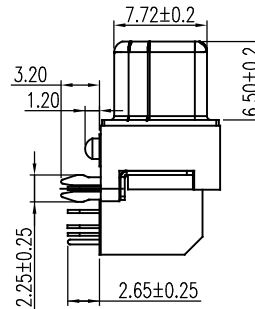
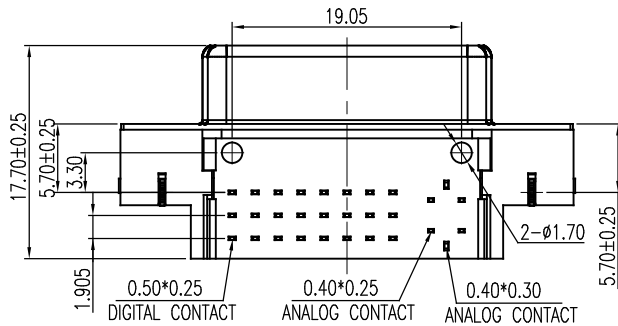
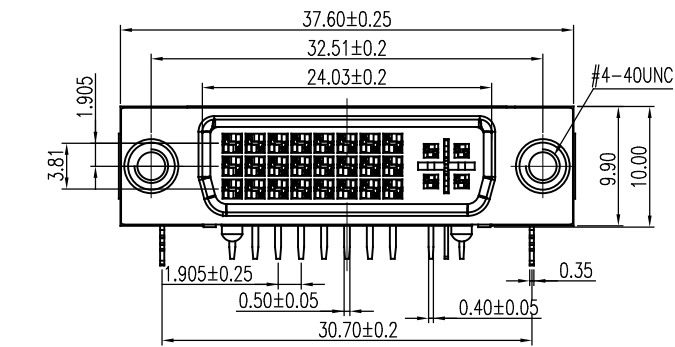


SPECIFICATIONS

1. DVI-I
- 1.1 Voltage: 40 VAC(RMS) Max.
- 1.2 Current Rating: 1.5 Ampere per Contact
- 1.3 Contact Resistance: 20 Milliohms Max.
- 1.4 Insulation Resistance: 1000 Megohms Min.
- 1.5 Dielectric Withstanding Voltage: 500V DC(RMS)
- 1.6 Total Mating Force: 4.5 Kgf Max.
- 1.7 Total Unmating Force: 1.0 Kgf Min.
- 1.8 Operating Temperature: -55°C to +85°C

NOTES

1. MATERIAL:
 - Housing:PBT, UL 94V-0, Color:Ivory.
 - Latch:PA66, UL 94V-0, Color:Ivory.
 - Terminal:Copper Alloy.
 - Shell:SPCC.
 - Boardlock:Steel.
 - Rivet:Copper Alloy.
2. FINISH:
 - Terminal:Selected Gold Plated in Contact Area, 100u" MIN. Tin Plated in Solder Area, 30u" MIN. Nickel Underplated Overall.
 - Shell:Nickel Plated 80u" MIN, Over Cu 50u" MIN.
 - Boardlock:Tin Plated 100u" MIN, Over Nickel 30u" MIN.
 - Rivet:Nickel Plated 60u" MIN, Overall.
3. This Product is RoHs Compliance Product.



RECOMMENDED P.C.B LAYOUT

DVI-I RECEPTACLE R/ANGLE CONNECTOR FOR DIGITAL-ANALOG INTERFACE WITH BOARDLOCKS & PEG

ACAD REFERENCE NO.: B10-029-266-039

DRAWN: P.M.

DATE: SEP.26/2020

CHECKED: R.S.M.

DATE: SEP.26/2020

SCALE: N.T.S.

SHEET 1 OF 1

DRAWING NUMBER: B10-029-266-039

ISSUE

PART NUMBER: B10-029-266-039

1



THIS SERIES FULLY CONFORMS TO
THE EUROPEAN UNION DIRECTIVES
2011/65/EU FOR ROHS COMPLIANCY.

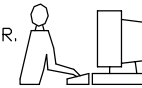


EDAC INC
TORONTO, ONTARIO
CANADA

YOUR CONNECTION TO QUALITY & SERVICE

THESE DRAWINGS AND SPECIFICATIONS
ARE THE PROPERTY OF EDAC INC.,AND
SHALL NOT BE REPRODUCED,OR COPIED
OR USED AS THE BASIS FOR THE
MANUFACTURE OR SALE OF APPARATUS
WITHOUT WRITTEN PERMISSION.

THIS IS A C.A.D. GENERATED DRAWING
DO NOT MAKE MANUAL REVISIONS TO MASTER.



ISSUE NUMBER

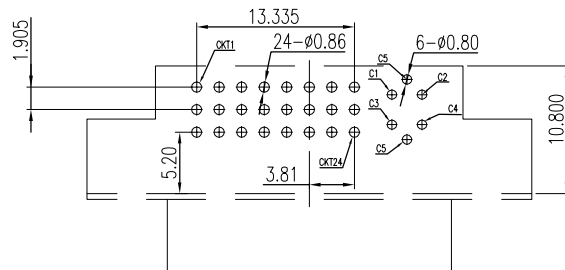
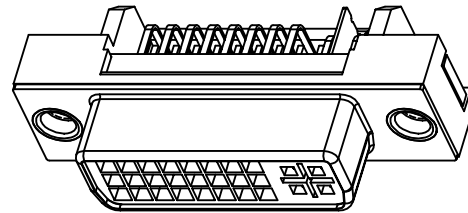
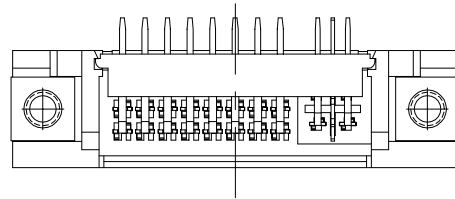
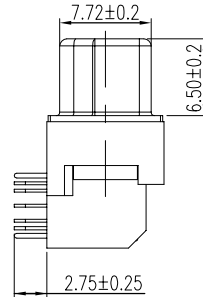
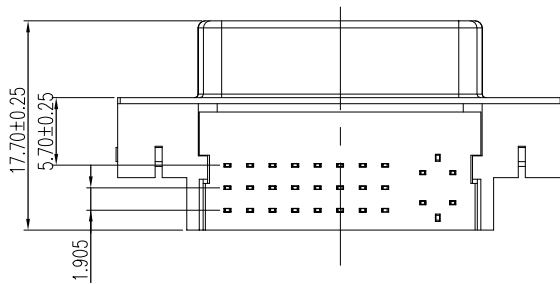
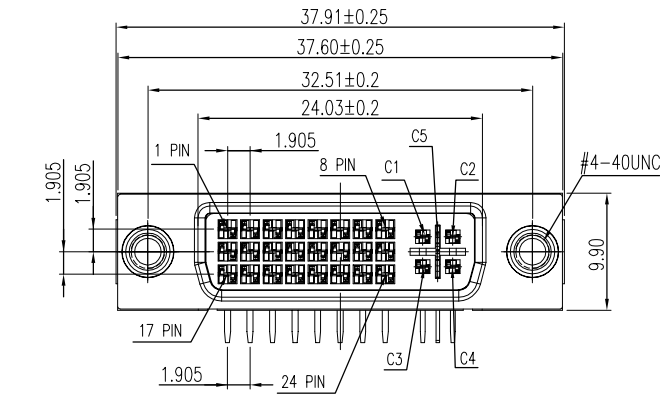
ORIGINAL	①
DIM. .683(17.35) WAS .679(17.14) F.BRIONES OCT.17/02	②
BOARDLOCK DETAIL CHANGED R.BLAKEY NOV.28/03	③
RE-DESIGN; RoHS STATEMENT ADDED. F.BRIONES NOV.23/05	④
NOTE 6 ADDED F.BRIONES DEC.16/05	⑤
THREADED RIVET ADDED F.BRIONES AUG. 11/06	⑥
INSULATOR UNDERCUT FOR RIVET ADDED R.BLAKEY JUN. 14/07	⑦
CURRENT RATING, CONTACT RESISTANCE, DWV AND INSULATION RESISTANCE WAS 5 AMPS, 30 MILLIOHMS, 1000 VAC AND 5000 MEGOHMS F.BRIONES OCT.29/07	⑧
HOLES LOCATIONS ADDED F.BRIONES JUN. 17/08	⑨
BOTTOM INSULATOR CHANGE F.BRIONES FEB. 17/09	⑩
DIM. 1.465 WAS 1.450 F.BRIONES NOV.01/11	⑪
DIM. .720(18.29) WAS .683(17.35) NEW TOOLING F.BRIONES OCT.15/12	⑫
UPDATE MATERIAL & ELECTRIC/ CHARACTERISTICS R.STA.MONICA JAN.21/2013	⑬
NEW TOOLING F.BRIONES OCT.28/13	⑭
UPDATE DWG. P.M. FEB. 26/2020	⑮
BOARDLOCK REMOVED P.M. APR. 07/2020	⑯

SPECIFICATIONS

1. DVI
- 1.1 Voltage: 40 VAC(RMS) Max.
- 1.2 Current Rating: 1.5 Ampere per Contact
- 1.3 Contact Resistance: 20 Milliohms Max.
- 1.4 Insulation Resistance: 1000 Megohms Min.
- 1.5 Dielectric Withstanding Voltage: 500V DC(RMS)
- 1.6 Total Mating Force: 4.5 Kgf Max.
- 1.7 Total Unmating Force: 1.0 Kgf Min.
- 1.8 Operating Temperature: -55°C to +85°C

NOTES

1. MATERIAL:
 - Housing:LCP, UL 94V-0, Color:Ivory.
 - Latch:LCP, UL 94V-0, Color:Ivory.
 - Terminal:Copper Alloy.
 - Shell:SPCC.
 - Rivet:Copper Alloy.
2. FINISH:
 - Terminal:Gold Plated over Nickel at Contact Area.
 - Tin Plated over Nickel at Solder Area.
 - Shell:Nickel Plated.
 - Rivet:Nickel Plated.
3. This Product is RoHS Compliance Product.



RECOMMENDED P.C.B LAYOUT

DVI-I RECEPTACLE R/ANGLE CONNECTOR
FOR DIGITAL-ANALOG INTERFACE
WITHOUT BOARDLOCKS



EDAC INC
TORONTO, ONTARIO
CANADA

YOUR CONNECTION TO QUALITY & SERVICE

THESE DRAWINGS AND SPECIFICATIONS
ARE THE PROPERTY OF EDAC INC., AND
SHALL NOT BE REPRODUCED, OR COPIED
OR USED AS THE BASIS FOR THE
MANUFACTURE OR SALE OF APPARATUS
WITHOUT WRITTEN PERMISSION.

ACAD REFERENCE NO: B10-029-266-032	
DRAWN: F.BRIONES	DATE: SEP.25/02
CHECKED: R.S.M.	DATE: APR. 07/2020
SCALE: N.T.S.	SHEET 1 OF 1
DRAWING NUMBER: B10-029-266-032	ISSUE
PART NUMBER: B10-029-266-032	16



THIS SERIES FULLY CONFORMS TO
THE EUROPEAN UNION DIRECTIVES
2011/65/EU FOR RoHS COMPLIANCY.